

Features

- 20A contact switching capability.
- Both single and dual relays available.
- Two independent structures of dual relay for convenient connection.

Contact Capacity

Model	SARG
Nominal switching capacity (res. load)	20A 14VDC
Max. switching current	25A
Max. switching voltage	40VDC
Max. switching power	280W

Contact rating voltage	Rating type		contact rating current(A)		on/off		endurance (cycles)	contact material	test ambient temperature
			1C、2C		on	off			
			NO	NC	S	S			
14VDC	imitate motor freely turn round	on	25	—	0.02	3.6	100,000	AgSnO ₂	85°C
		transient 1	15	—	0.03				
		transient 2	10	—	0.03				
		off	6	—	0.32				
	resistance	on	20	—	1	3	200,000	AgSnO ₂	80°C
		off	20	—					
lamp	on	4x21W	—	1	5	200,000	AgSnO ₂	80°C	
	off		—						

notes:(1) making,transient1 and transient2 current is segmented and imitates electromechanical peak current ;

(2) In the table, the rating refers to a non-flash light rating , When wiring , ensure public terminal (spring) positive;

(3) When your rating is inconsistent with us,please tell SANYOU about your operating conditions for more support.

Charateristic Data

Contact material	Silver alloy	
Initial contact resistance (at 6VDC 1A)	100mΩ Max.(at 1A 6VDC)	
	100mv/at 10A (max)	
Operate time (at nominal volt.)	4msec. Max.	
Release time (at nominal volt.)	2msec. Max.	
Initial insulation resistance	100MΩ Min.(DC500V)	
Initial dielectric strength	Between open contacts : AC500V , 50/60Hz 1Min.	
	Between coil and contact : AC500V , 50/60Hz 1Min.	
Vibration resistance	Destructive	10 ~ 500Hz 49m/s
	Functional	30G Min.
Shock resistance	Destructive	100G Min.
	Mechanical (at 10,800 ops./h)	10,000,000
Endurance (operations)	Electrical (at 900 ops./h)	200,000
	Ambient temperature	-40°C ~ +105°C (no condensation)
Unit weight	Approx. 5.2 g (single relay) ; Approx.10.4 g (dual relay)	

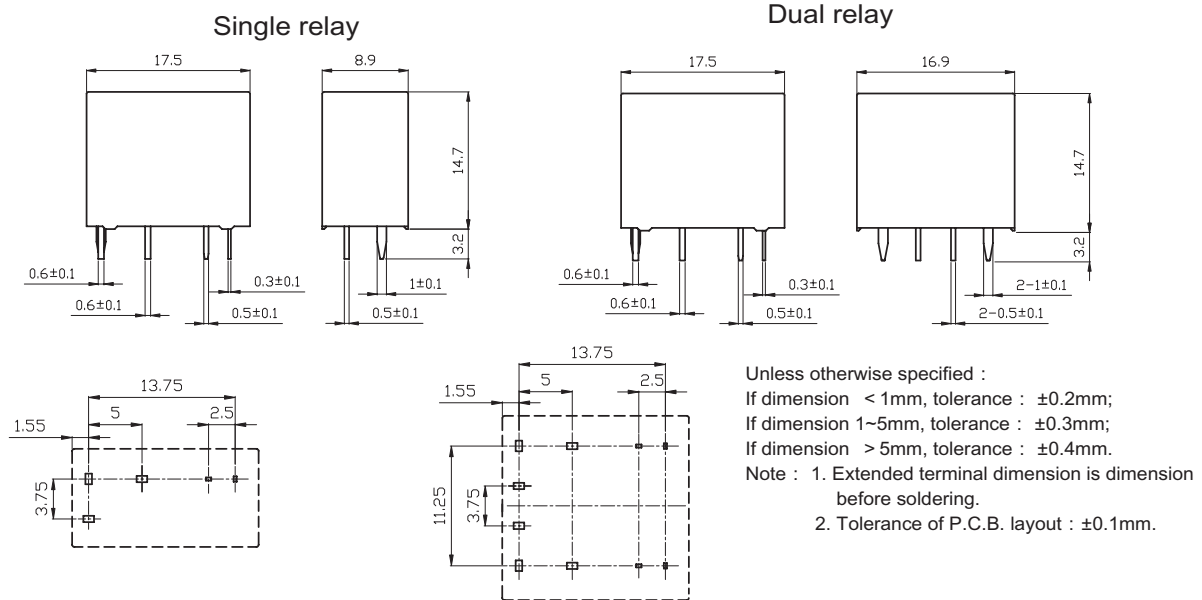
Coil Data (at 23°C)

Nominal voltage (VDC)	Nominal operating current ±10% (mA)	Coil resistance ±10% (Ω)	Pick-up voltage (Max.)	Drop-out voltage (Min.)	Max. allowable voltage		Nominal operating power
					23°C	85°C	
12	47	255	7.2	1.0	20	16	Approx. 0.56W
12	67	178	6.5	0.8	17	13.5	Approx. 0.81W

Ordering Information

Nomenclature							
SARG	S	1	12	D	X	X	XX
Special Parameter : Nil-Standard type, Letter or number-Special requirement							
Contact Material : Nil-AgSnO2, 1-AgCdO							
Contact Form : Nil-FormC,M-FormA							
Coil Power : D-0.56W,H-0.81W,							
Coil Voltage (VDC) : 12							
Number of Poles : 1-Single relay, 2-Dual relays							
Protective Construction : S-Flux proofed, SH-Sealed type washable							
Type Designation : SARG							

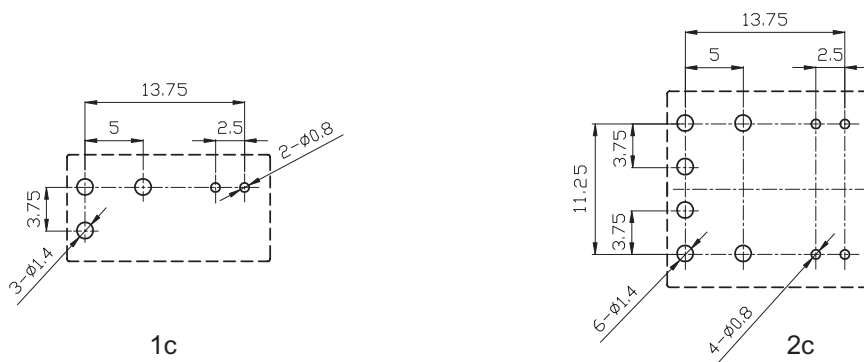
Outline Dimensions, Wiring Diagram, P.C. Board Layout (unit : mm)



Outline Dimensional Drawing



Wiring Diagram (bottom view)

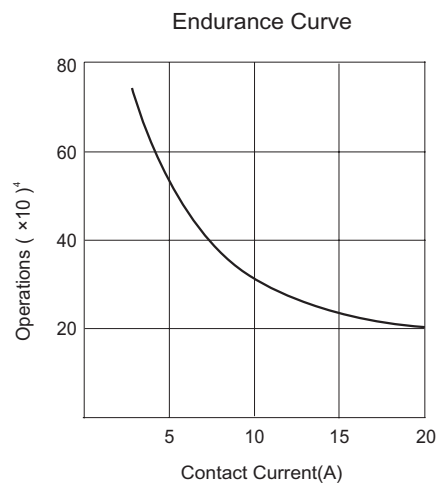
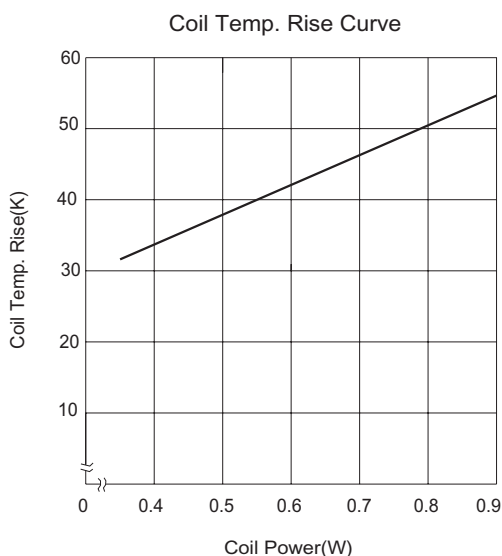


P.C.B. Layout (bottom view)

Typical Applications

- Auto door & window control
- Central door lock, electronic position controller
- Sunroof, seat adjustment
- Seat belt prewarning equipment

Characteristic Curves



Disclaimer:

This datasheet is the customers' reference. All the specification are subject to change without notice. We could not evaluate all the performance and all the parameters for every possible application. Thus the user should in a right position to choose the suitable product for their own application. If there is any query, please contact Sanyou for the technical service. However it is the user's responsibility to determine which product should be used only.