



## Features

- Small size, light weight.
- Excellent stability at high or low ambient temperature.

## Contact Capacity

Model	SART
Nominal switching capacity (res. load)	30A 12VDC
Max. switching current	30A
Max. switching voltage	30VDC
Max. switching power	420W

## Charateristic Data

Contact material	Silver alloy	
Initial contact resistance (at 6VDC 1A)	50mΩ Max.	
Operate time (at nominal volt.)	10msec. Max.	
Release time (at nominal volt.)	5msec. Max.	
Initial insulation resistance	100MΩ Min.(DC500V)	
Initial dielectric strength	Between open contacts: AC750V, 50/60Hz 1Min.	
	Between coil and contact: AC750V, 50/60Hz 1Min.	
Vibration resistance	Functional	10 ~ 55Hz at double amplitude of 1.5 mm
	Destructive	10 ~ 55Hz at double amplitude of 1.5 mm
Shock resistance	Functional	10G Min.
	Destructive	100G Min.
Endurance (operations)	Mechanical (at 10,800 ops./h)	10,000,000
	Electrical (at 600 ops./h)	100,000
Ambient temperature	-40°C ~ +125°C (no condensation)	
Unit weight	Approx. 32.0 g	

## Coil Data (at 20°C)

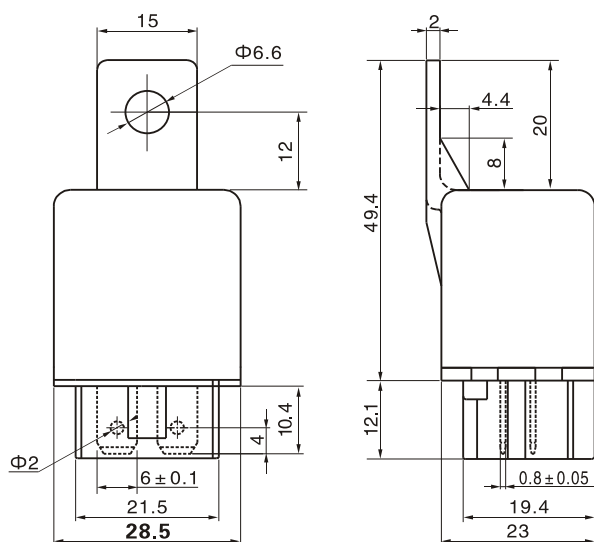
Nominal voltage (VDC)	Nominal operating current ± 10% (mA)	Coil resistance ± 10% (Ω)	Max. allowable voltage	Pick-up voltage (Max.)	Drop-out voltage (Min.)	Nominal operating power
5	287.36	17.4	150 % of nominal voltage	70 % of nominal voltage	10 % of nominal voltage	Approx. 1.44W
6	240.00	25				
9	160.00	56.2				
12	120.00	100				
15	96.00	156				
18	80.00	225				
24	60.00	400				

## Ordering Information

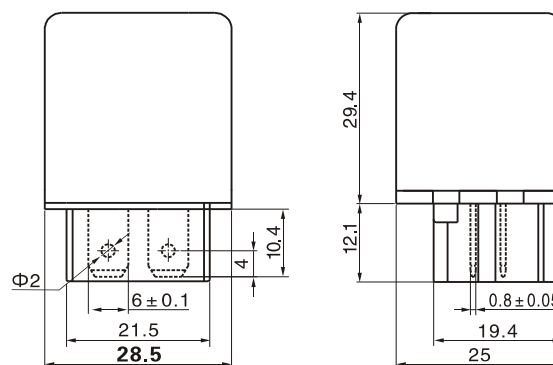
Nomenclature					
SART	-1	12	D	M	F-XX
Special Parameter: Nil-Standard type, Letter or number-Special requirement					
Cover Type: Nil-Without bracket, F-With bracket					
Contact Form: M-Form A					
Coil Power: D-1.44W					
Coil Voltage (VDC): 05, 06, 12, 15, 18, 24					
Number of Poles: 1-1 Pole					
Type Designation: SART					

## Outline Dimensions, Wiring Diagram, Mounting Holes t (unit: mm)

With bracket type



Without bracket type



Unless otherwise specified:

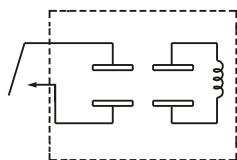
If dimension < 1mm, tolerance: ±0.2mm;

If dimension 1~5mm, tolerance: ±0.3mm;

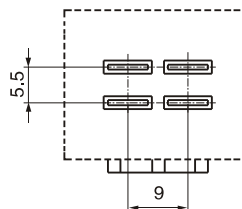
If dimension > 5mm, tolerance: ±0.4mm.

Note: 1. Extended terminal dimension is dimension before soldering.

2. Tolerance of mounting holes : ±0.1mm.



Wiring Diagram (bottom view)



Mounting Holes (bottom view)

## Typical Applications

- Motorcycle, engine bike
- Compressor of automatic air conditioner
- Automatic electric window