

UL/CUL
To be certified

VDE
To be certified

TUV
To be certified



Features

- 4组主触点40A+1组辅助触点1A;
4 NO load contact + 1 NB Sub contact
- 当主触点粘接时, 辅助触点满足安全检测功能;
When the main contacts stick adhesive, sub contact can detect it.
- 主触点间隙: 3.9mm; Main contact GAP:3.9mm;
辅助触点间隙: 1.0mm;Sub contact GAP:1.0mm;
- 施加线圈保持电压, 节约电力损耗;
Application of coil holding voltage to save power losses.
- 外形尺寸: (59×35×46.6) mm
Dimension

触点参数 Contact Data

型号 Modle	SCP40
额定负载(阻性) Rated load (resistive)	主触点Main contact: 40A 440VAC 辅助触点Sub contact: 1A 277VAC/1A 30VDC
最大切换电流 Max. Switching voltage	主触点Main contact: 40A/辅助触点Sub contact: 1A
最大切换电压 Max. Switching current	主触点Main contact: 440VAC/辅助触点Sub contact: 30VDC, 277VAC
最大切换功率 Max. Switching power	主触点Main contact: 17600VA/辅助触点Sub contact: 277VA/30W
最小负载Min. load(Sub contact)	常规General: 12VDC/100mA

Note: (1) 上述值均为初始值。The above values are the initial values.
(2) 最小负载为参考值, 适用于常温常湿常压的环境。该参考值会根据通断频率、环境条件和期望的寿命不同而改变, 因此请在使用前用实际负载进行确认实验。
The minimum load is a reference value, detected under room temperature and normal humidity and pressure.
This reference value varies depending on the on-off frequency, environmental conditions and desired lifetime. Therefore, please conduct a confirmation test with the actual load before use.

性能参数 Parameter Data

触点材料 Contact material	Silver alloy	
接触电阻 Contact resistance	Main contact: ≤10mΩ (6VDC 20A) Sub contact: ≤100mΩ (6VDC 1A)	
吸合时间 (额定电压下) Operate time (at rated voltage)	≤40ms.	
释放时间 (额定电压下) Release time (at rated voltage)	≤20ms	
绝缘电阻 Insulation resistance	1000MΩ (500VDC)	
介质耐压 Dielectric strength	断开主触点间: Between two sides of main contact:	2000VAC, 50/60Hz 1min.
	主触点与辅助触点间: Between main contact and sub contact:	
	主触点组间: Between main contacts:	
	辅助触点与线圈间: Between sub contact and coil:	
	主触点与线圈间: Between main contact and coil:	5000VAC, 50/60Hz 1min.
	断开的辅助触点间: Between two sides of sub contact:	1000VAC, 50/60Hz 1min.
抗振动 Anti-vibration	耐久 Destructive	10~55Hz, double-amplitude 1.0 mm
	误动作 Functional	10~55Hz, double-amplitude 1.0 mm
抗冲击 Impact resistant	耐久 Destructive	100G Min. (main contact)
	误动作 Functional	10G Min.
机械寿命 Mechanical durability	机械寿命 (每小时10,800次) Mechanical(at10800Frequency/h)	100,000 Frequency
电寿命 Electrical durability	NO: Making10A, Loading40A, Breaking10A, 440VAC, Resistive load,85°C Frequency: 5×10 次 Sub contact: 1A 277VAC/30VDC, resistive load,85°C, 1s on 9s off, Frequency: 10×10 次	
环境温度 Ambient temperature	-40°C ~ +85°C(Non-condensing)	
引出端形式 Terminal	PCB	

Note: (1) 上述值均为初始值。The above values are the initial values.

线圈参数 Coil Date

额定线圈功率 Rated coil power	Approx 4.8W
保持电压 Holding Voltage	35%~80%U _N (Ambient temperature 23°C) 40%~60%U _N (Ambient temperature 85°C)

- 备注: (1) 线圈保持电压为线圈施加额定电压100ms后施加的线圈电压。
The coil holding voltage is the coil voltage applied after the rated voltage has been applied to the coil for 100ms.
- (2) 继电器线圈不允许长时间施加超过保持电压的上限值, 防止继电器过热烧毁。
The relay coil is not allowed to apply more than the upper limit of the holding voltage for a long time to prevent the relay from overheating and burning up.

线圈参数 Coil Date (at 20°C)

Rated voltage (VDC)	Rated current ±10% (mA)	Coil resistance ±10% (Ω)	Maximum continuous Voltage	Operate voltage (Max.)	Release voltage (Min.)	
9	530.33	16.9	110% of rated Voltage	75% of rated Voltage	5% of rated Voltage	
12	400.00	30				
24	200.00	120				
48	100.00	480				

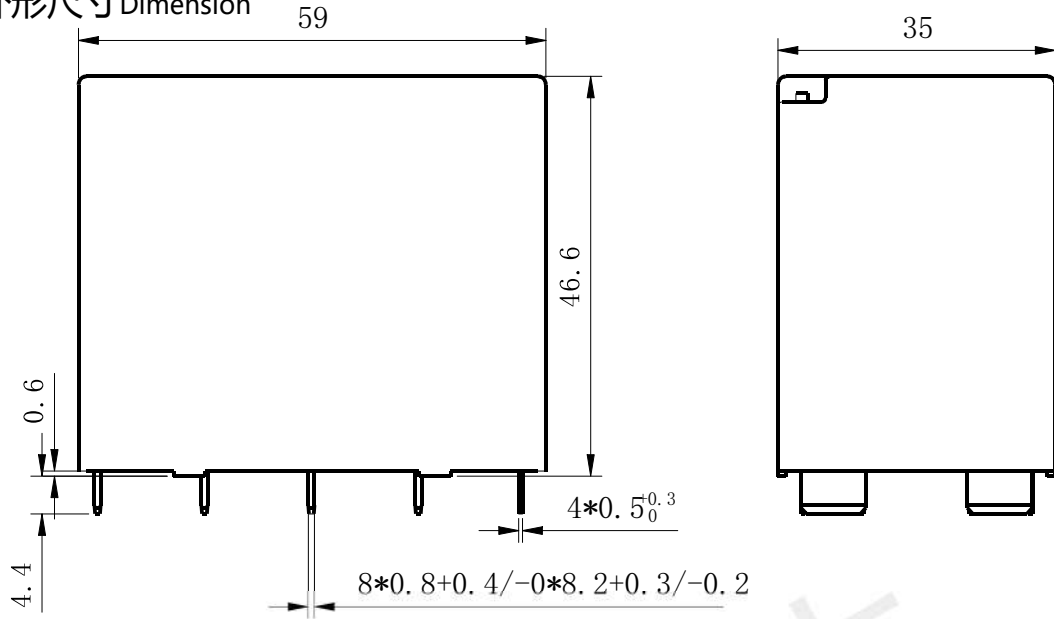
订货标记 Ordering Information

型号命名规则 Nomenclature

SCP40	S	-4	12	D	M	F	XXX	
								Speciality Symbols: Nil-Standard, XXX: Special customer requirements
								Sub contact form: Nil-Nil, F-form B
								Main contact form: M-form A
								Coil power: D-4.8W
								Coil Voltage(VDC): 09, 12, 24, 48
								No. of contact groups: 4-4组
								Package form: S-Plastic Packaging, SH-Waterproof type
								Basic Model: SCP40

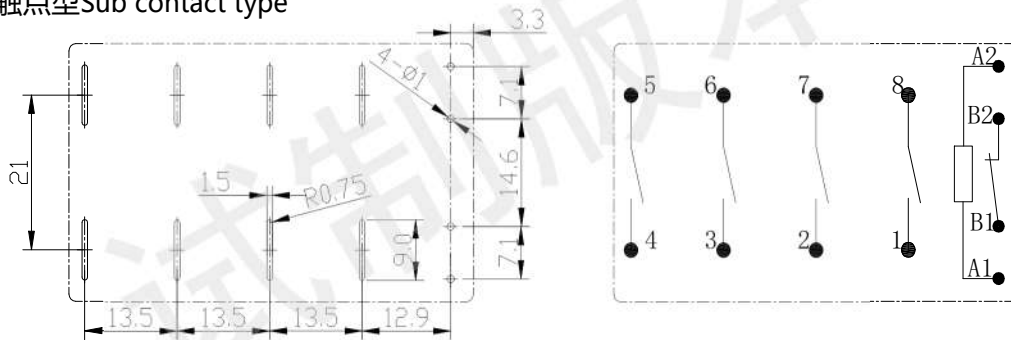
- Note: (1) 防焊剂型继电器不能在污染环境中使用 (含有一定量的H₂S、SO₂、NO₂、粉尘等污染物)
Solder-resistant relays cannot be used in polluted environments (containing a certain amount of H₂S, SO₂, NO₂, dust, and other pollutants)
- (2) 防焊剂型继电器装入PCB焊接后, 不能进行整体清洗和表面处理;
Solder-resistant relays cannot be cleaned and surface treated in their entirety after being loaded into the PCB for soldering.
- (3) 客户特殊需求由我司评审后, 按照特性号的形式标识。
Special customer needs will be identified in the form of characteristic number after evaluation by our company.

外形尺寸 Dimension

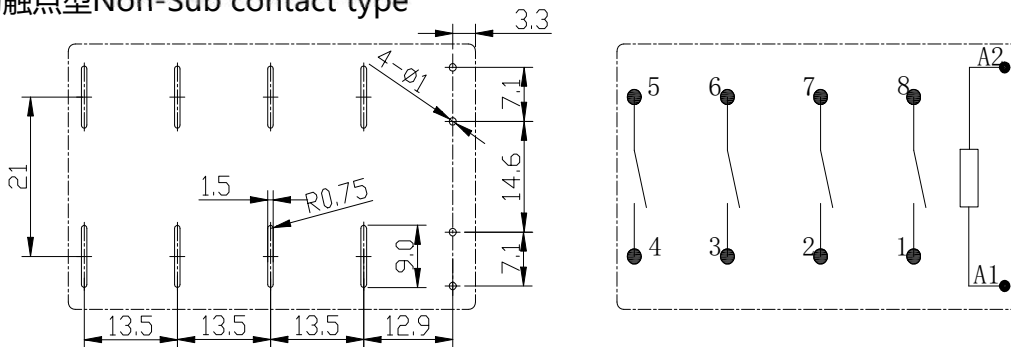


脚位尺寸, 接线图 Terminal dimensions, wiring diagram

有辅助触点型 Sub contact type



无辅助触点型 Non-Sub contact type



- Note: (1) 产品部分外形尺寸未标注尺寸公差, 当外形尺寸 $\leq 1\text{mm}$ 时, 公差为 $\pm 0.2\text{mm}$; 当外形尺寸在 $1\sim 5\text{mm}$ 时, 公差为 $\pm 0.3\text{mm}$; 当尺寸 $> 5\text{mm}$ 并且 $\leq 30\text{mm}$, 公差为 $\pm 0.4\text{mm}$; 当外形尺寸 $> 30\text{mm}$, 公差为 $\pm 0.6\text{mm}$;
Part of the product shape size is not marked size tolerance, when the shape size $\leq 1\text{mm}$, the tolerance is $\pm 0.2\text{mm}$; when the shape size is $1\sim 5\text{mm}$, the tolerance is $\pm 0.3\text{mm}$; when the size $> 5\text{mm}$ and $\leq 30\text{mm}$, the tolerance is $\pm 0.4\text{mm}$; when the shape size $> 30\text{mm}$, the tolerance is $\pm 0.6\text{mm}$;
(2) 安装孔尺寸中未标注公差为 $\pm 0.1\text{mm}$.
Tolerance of $\pm 0.1\text{mm}$ is not marked in the mounting hole dimensions.

声明:

本产品规格书仅供客户使用时参考, 若有更改, 恕不另行通知。
对三友而言, 不可能评定继电器在每个具体应用领域的所有性能参数要求, 因而客户应该根据具体的使用条件选择与之相匹配的产品, 若有疑问, 请与三友联系获取更多的技术支持。但产品选型责任仅由客户负责。

Statement:

This product specification is for reference only, subject to change without prior notice.
For Sanyou, it is impossible to assess all the performance requirements of relays in each specific application field, so customers should choose the products that match them according to the specific use conditions. If in doubt, please contact Sanyou for more technical support, but the responsibility of product selection is solely the customer's responsibility.