

Miniature High Power Relay

SLG Series

Features

- Miniature relay with high switching capability : 40A.
- Contact form : Form A or 1Form C.
- Special type of 4000VAC dielectric strength and 6000V surge voltage (1.2/50uS) between coil and contact available
- Sealed type .available
- Satisfy IEC60335-1product is available
- Satisfy IEC60079-15 product is available`

Safety Approval

UL , C-UL File No. : Hold

CQC File No. : Hold

TUV File No.: Hold

Contact Capacity

Model	SLG
Nominal switching capacity (res. load)	40A 277VAC
Max. switching current	40A
Max. switching voltage	277VAC
Max. switching power	11,080VA

Charateristic Data

Contact material	Silver alloy	
Initial contact resistance (at 6VDC 1A)	100m Ω Max.(1A 6VDC)	
Operate time (at nominal volt.)	15msec. Max. (no diode)	
Release time (at nominal volt.)	10msec. Max. (no diode)	
Initial insulation resistance	1000MΩ Min.(DC500V)	
Initial dielectric strength	Between open contacts :	AC1,500V , 50/60Hz 1min
	Between coil and contact :	AC2,500V , 50/60Hz 1min. (4kV available)
Vibration resistance	Functional	10 ~ 55 Hz at double amplitude of 1.5 mm
	Destructive	10 ~ 55Hz at double amplitude of 1.5 mm
Shock resistance	Functional	10G Min.
	Destructive	100G Min.
Endurance (operations)	Mechanical (at 7,200 ops./h)	10,000,000 cycles(at room temperature)
	Electrical (at 360 ops./h)	30,000 cycles(at room temperature)
Ambient temperature	-40°C ~ +75°C (No condensation)	
Unit weight	Sealed type: Approx. 24.0g	

Coil Data (at 20 °C)

Nominal voltage (VDC)	Nominal operating current 10% (mA)	Coil resistance 10% (Ω)	Max. allowable voltage	Pick-up voltage (Max.)	Drop -out voltage (Min.)	Nominal operating power
5	180.00	27	130 % of nominal voltage	75 % of nominal voltage	5 % of nominal voltage	0.90W
6	150.00	40				
9	100.00	90				
12	75.00	160				
15	60.00	250				
18	50.00	360				
24	37.50	640				
48	18.75	2,560				
110	8.20	13,400				

Safety Approval Ratings

(Note:More detail of approval ratings ,please refer to the safety certification)

Approval	CQC	UL /CUL/TUV
File No.	On Hold	On hold
Approved ratings	40A125VAC/ 250VAC/ 277VAC	40A125VAC/ 250VAC/ 277VAC

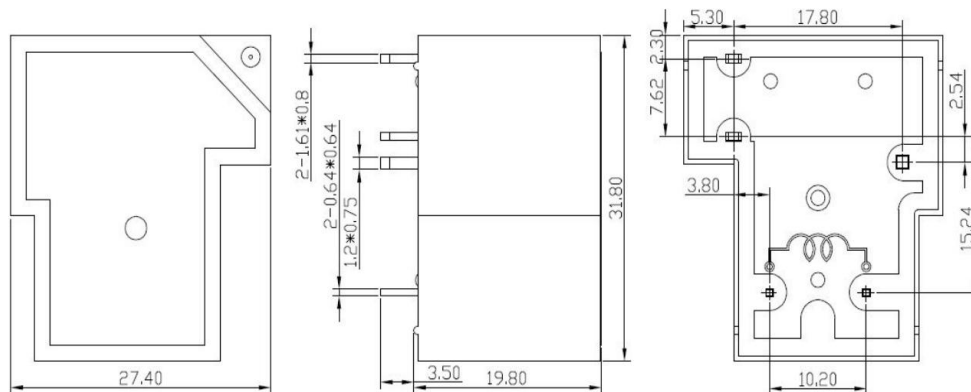
- (1) The above-mentioned unspecified temperature ratings, means that the ambient temperature is room temperature.
- (2) Only some typical ratings are listed above. Each rating's test condition is different, so the electrical endurance will be different. If more details are required, please contact us.
- (3) For sealed type testing, please open the ventilation hole of case before test.

Ordering Information

Nomenclature										
SLG	-	S	-1	12	D	M	1	F	-XX	
Special Parameter : Nil-Standard type, Letter or number-Special resquirement										
Insulation System : Nil-Standard, B-Class B, F-Class F										
Contact Material : Nil-AgSnO ₂										
Contact Form : Nil-Form C, M-Form A										
Coil Power : D-0.90W										
Coil Voltage (VDC) : 05, 06, 09, 12, 15, 18, 24, 48, 110										
Number of Poles : 1-1 Pole										
Protective Construction : S-Flux proofed, SS- Sealed, SH-Sealed type washable										
Type Designation : SLG										

Outline Dimensions, Wiring Diagram, P .C. Board Layout (unit : mm)

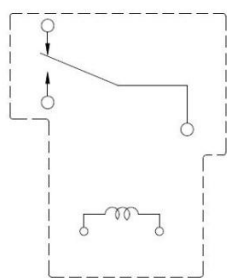
Sealed type



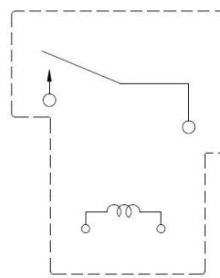
Unless otherwise specified :

If dimension < 1mm, tolerance : 0.2 mm; If dimension 1~5mm, tolerance : 0.3 mm; If dimension > 5mm, tolerance : 0.4 mm.

Note : 1. Extended terminal dimension is dimension before soldering.
2. Tolerance of P .C.B. layout : 0.1 mm.

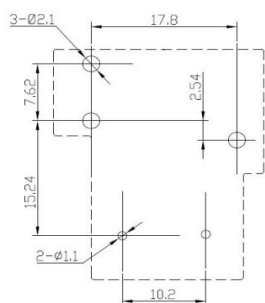


1c

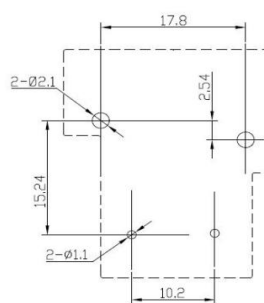


1a

Wiring Diagram (bottom view)



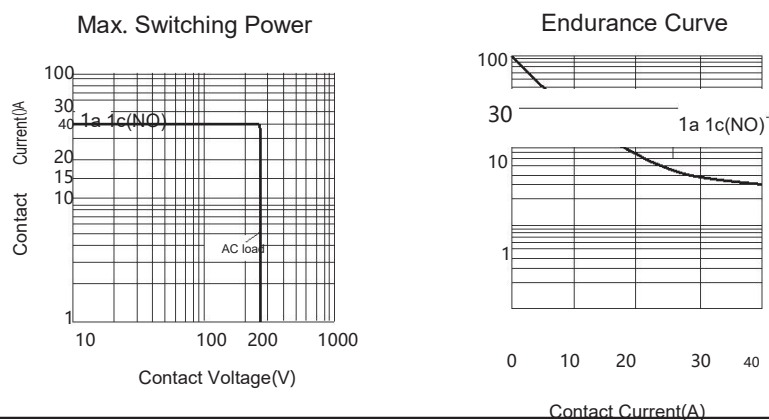
1c



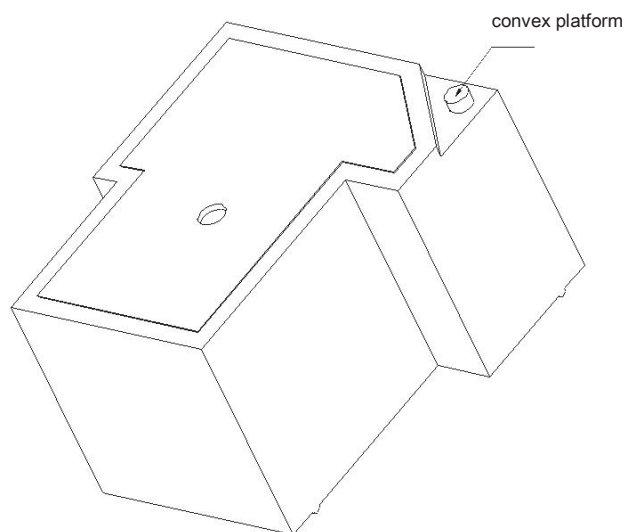
1a

P.C.B. Layout (bottom view)

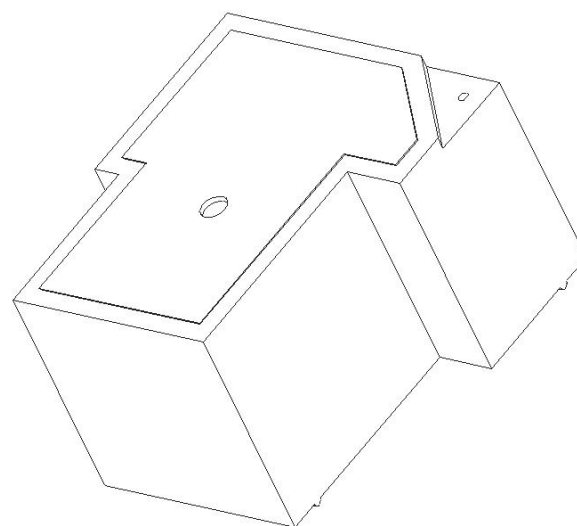
Characteristic Curves



Note: If you choose the sealed type, before using, please remove the convex platform at the top of the case to ensure the normal performance of the relay after the completion of a PCB operations. they are as shown in the following diagram:



with convex platform



without convex platform

Disclaimer:

This datasheet is the customers' reference. All the specification are subject to change without notice.

We could not evaluate all the performance and all the parameters for every possible application. Thus the user should in a right position to choose the suitable product for their own application. For sealed relays after installation and cleaning, please open the vent hole on the case before use. If there is any query, please contact Sanyou for the technical service. However it is the user's responsibility to determine which product should be used only.

