

**Features**

- 1 pole and 2 poles types available with switching current 15A (1 pole) and 10A (2 poles).
- PCB terminal, socket and flange case types available for different mounting consideration.
- Low coil power consumption with high sensitive.
- Long service endurance, high reliability.

**Safety Approval**

UL, C-UL File No.: E179745  
VDE File No.: 40009320  
CQC File No.: CQC08011024423

**Contact Capacity**

Model	SME-1 pole	SME-2 poles
Nominal switching capacity (res. load)	15A 250VAC	10A 250VAC
Max. switching current	15A	10A
Max. switching voltage	250VAC	250VAC
Max. switching power	3,750VA	2,500VA

**Charateristic Data**

Contact material	Silver alloy	
Initial contact resistance (at 6VDC 1A)	50mΩ Max.	
Operate time (at nominal volt.)	25msec. Max.	
Release time (at nominal volt.)	25msec. Max.	
Initial insulation resistance	500MΩ Min.(DC500V)	
Initial dielectric strength	Between open contacts: AC1,000V, 50/60Hz 1Min.	
	Between coil and contact: AC1,500V, 50/60Hz 1Min.	
Vibration resistance	Functional	10 ~ 55Hz at double amplitude of 1.5 mm
	Destructive	10 ~ 55Hz at double amplitude of 1.5 mm
Shock resistance	Functional	10G Min.
	Destructive	100G Min.
Endurance (operations)	Mechanical (at 7,200 ops./h)	10,000,000
	Electrical (at 900 ops./h)	100,000
Ambient temperature	-25°C ~ +55°C (no condensation)	
Unit weight	Approx. 37.0 g	

**Coil Data** (at 20°C)

Nominal voltage	Nominal operating current ±10% (mA)		Coil resistance ±10% (Ω)	Max. allowable voltage	Pick-up voltage (Max.)	Drop-out voltage (Min.)	Nominal operating power
	50Hz	60Hz					
6 VAC	220.0	170.0	11.5	110 % of nominal voltage	80% of nominal voltage	30 % of nominal voltage	1.0 ~ 1.3VA
12 VAC	110.0	85.0	46				
24 VAC	60.0	45.0	165				
48 VAC	30.0	23.0	735				
120 VAC	13.5	11.5	4,430				
220/240 VAC	6.0	5.0	14,400				
6 VDC	150.0		40	110 % of nominal voltage	75% of nominal voltage	10 % of nominal voltage	Approx. 0.90W
12 VDC	75.0		160				
24 VDC	36.9		650				
48 VDC	18.5		2,600				
110 VDC	10.0		11,000				

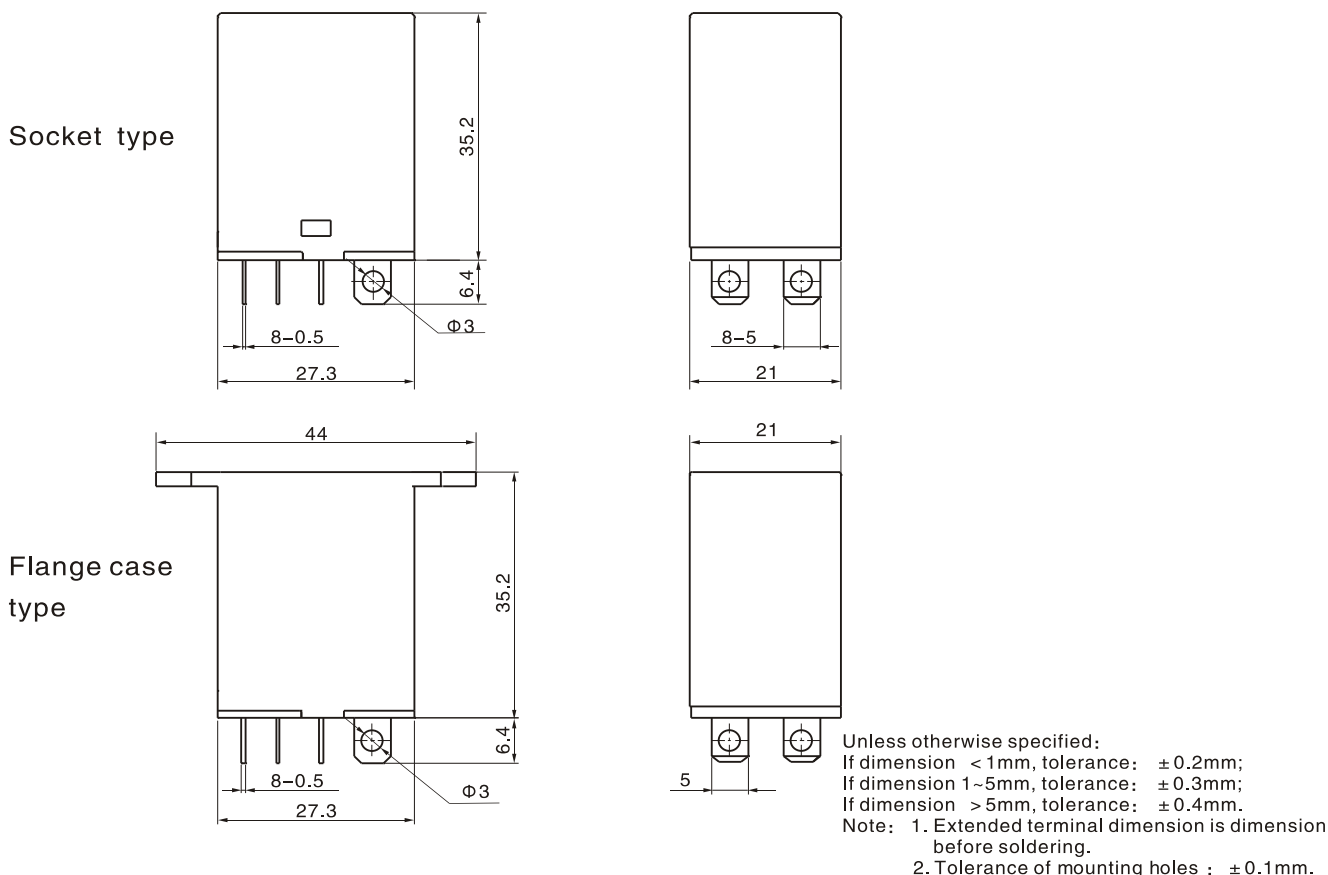
### Safety Approval Ratings

Approval	CQC	VDE	UL/CUL
File No.	CQC08001024423	40009320	E179745
Approved ratings	1 pole: 15A 250VAC 2 poles: 10A 250VAC	1 pole: 15A 250VAC 15A 30VDC 2 poles: 10A 250VAC 10A 30VDC	1 pole: 15A 240VAC, Resistive 15A 24VDC, Resistive 7A 250VAC, General use 2 poles: 10A 240VAC, Resistive 10A 24VDC, Resistive 5A 240VAC, General use

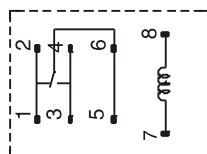
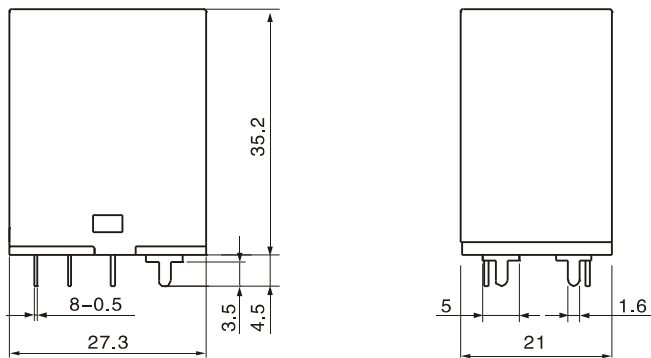
### Ordering Information

Nomenclature	
SME-1 12 D M T 1 D-F-XX	Special Parameter: Nil-Standard type, Letter or number-Special requirement
	Insulation System: Nil-Standard, B-Class B, F-Class F
	Accessory Form: Nil-Without accessory, D-With diode
	Contact Material: Nil-AgSnO <sub>2</sub> , 1-AgCdO
	Mounting Type: P-PCB, T-Socket, F-Flange case
	Contact Form: Nil-Form C, M-Form A
	Coil Power: D-DC, A-AC
	Coil Voltage: DC-06, 12, 24, 48, 110; AC-06, 12, 24, 48, 110, 220
	Number of Poles: 1-1 Pole, 2-2 Poles
	Type Designation: SME

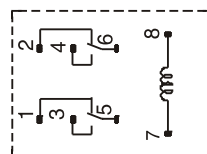
### Outline Dimensions, Wiring Diagram, Mounting Holes (unit: mm)



PCB type



1c



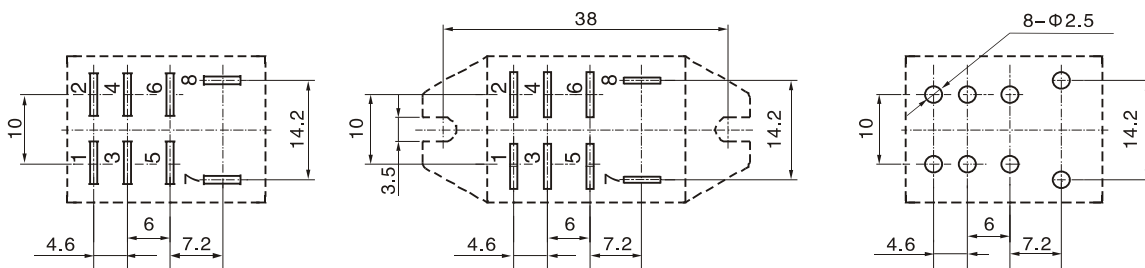
2c

Wiring Diagram (bottom view)

Socket type

Flange case type

PCB type



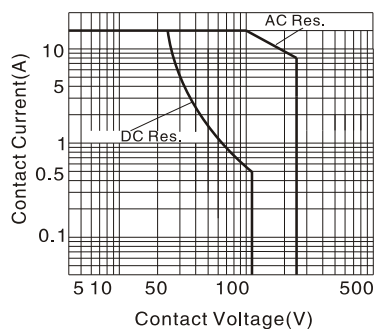
Mounting Holes (bottom view)

## Typical Applications

- Automat, cooking appliance and office equipment
- Home appliances, control apparatus, ect.

## Characteristic Curves

Max. Switching Power(1c)



Max. Switching Power(2c)

