

Features

- High contact capability : 15 A switching capability.
- Low coil power consumption

Single coil magnetic latching : 0.4W

Double coil magnetic latching : 0.8W

Contact Capacity

Model	SRDK -DM	SRDK -D
Nominal switching capacity	10A 250VAC(res. load) 15A 120VAC(lamp load)	NO 10A 250VAC NC 7A 250VAC
Max. switching current	15A	12A
Max. switching voltage	277VAC	277VAC
Max. switching power	2,770VA	2,770VA

Characteristic Data

Contact material	Silver alloy	
Initial contact resistance (at 6VDC 1A)	100mΩ Max.	
Operate time	8msec. Max.	
Release time	5msec. Max.	
Initial insulation resistance	100MΩ Min.(DC500V)	
Initial dielectric strength	Between open contacts : AC 750V , 50/60Hz 1Min.	
	Between coil and contact : AC 2,000V , 50/60Hz 1Min.	
Vibration resistance	10 ~ 55Hz , at double amplitude of 1.5 mm	
Shock resistance	Functional	98m/s ²
	Destructive	980m/s ²
Endurance(operations)	Mechanical(at 10,800 ops./h)	1X10 ⁷ cycles
	Electrical	6x10 ³ cycles (15A 120VAC,lamp load,60°C , 1s on : 59s off) 1x10 ⁴ cycles (10A 277VAC,res. load,60°C , 1s on : 9s off) 2x10 ⁴ cycles (12A 277VAC,res. load,70°C , 1s on : 9s off)
Ambient temperature	-40°C~+85°C(no condensation) Please contact us if your working condition is 105°C	
Unit weight	Approx. 8.5 g	

Coil Data(at 20°C)

Single coil magnetic latching

Nominal voltage (VDC)	Coil resistance ±10% (Ω)	Max. allowable voltage	Set voltage (Max.)	Reset voltage (Min.)	Nominal operating power
5	62.5	130 % of nominal voltage	80 % of nominal voltage	80 % of nominal voltage	0.4W
6	90				
9	202.5				
12	360				
24	1,440				
48	5,760				

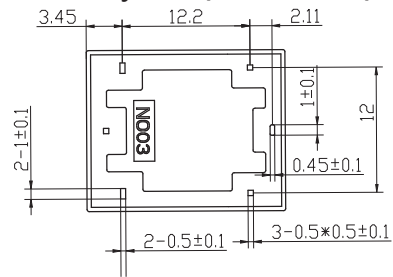
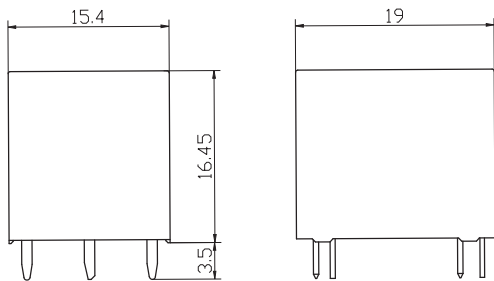
Dual coil magnetic latching

Nominal voltage (VDC)	Coil resistance ±10% (Ω)	Max. allowable voltage	Pick-up voltage (Max.)	Drop-out voltage (Min.)	Nominal operating power
5	31.5	130 % of nominal voltage	80 % of nominal voltage	80 % of nominal voltage	0.8W
6	45				
9	101.5				
12	180				
24	720				
48	2880				

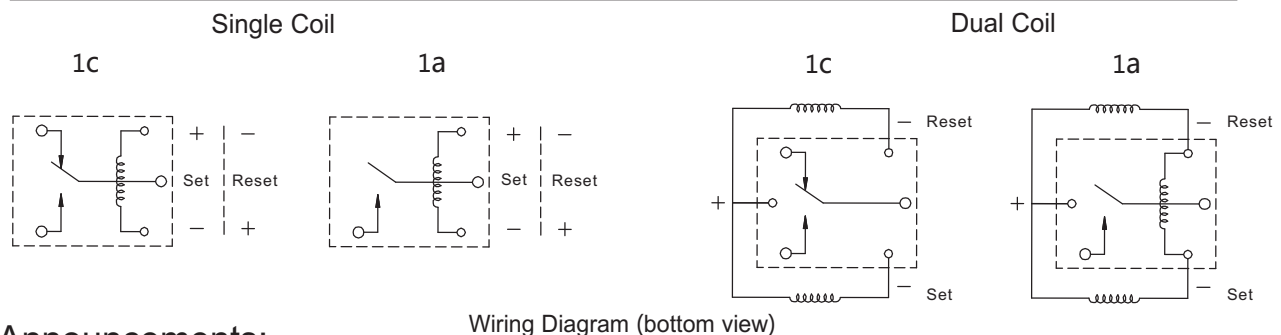
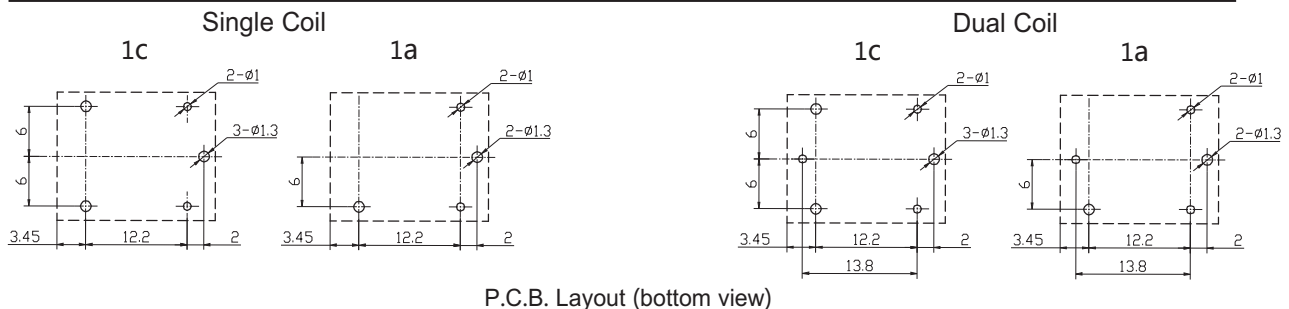
Ordering Information
Nomenclature

SRDK	-S	-1	12	D	M	1	1	XX
Special Parameter : Nil-Standard type,XX-Customized Requirement								
Coil Type : 1-Single coil , 2-Dual coil								
Contact Material : Nil-AgSnO ₂ , Numeral-Customized Requirement								
Contact Form : Nil-Form C, M-Form A								
Coil Power : D-0.4W								
Rated coil voltage (VDC) : 05,06,09,12,24,48								
Number of Poles : 1-1 Pole								
Protective Construction : S-Flux proofed, SH-Sealed type washable								
Model : SRDK								

Outline Dimensions, Wiring Diagram, P.C. Board Layout (unit : mm)



Unless otherwise specified :
 If dimension < 1mm, tolerance : ±0.2mm;
 If dimension 1~5mm, tolerance : ±0.3mm;
 If dimension > 5mm, tolerance : ±0.4mm.
 Note : Extended terminal dimension is dimension before soldering.
 Tolerance of P.C.B. layout : ±0.1mm.



Announcements:

- 1、 A Magnetic Latching Relay stays operation status when out of factory, but the status may change because of the effect of shock or stress during delivering or mounting. you can reset the tatus according to your requirement.
- 2、 In order to make sure that a magnetic latching relay works properly, the energizing quantity of voltage applied to coil must reach to the rated value, and the width of pulse should be 5 times greater than the Operate or Release time. Don't apply voltage to both set and reset coil at the same time, and when applied energizing voltage value to coil, please do not exceed one minute.

Typical Applications

- Home appliances such as air conditioner, heater, smart power switch,etc.
-

Disclaimer:

This datasheet is the customers' reference. All the specification are subject to change without notice.

We could not evaluate all the performance and all the parameters for every possible application. Thus the user should in a right position to choose the suitable product for their own application. If there is any query, please contact Sanyou for the technical service. However it is the user's responsibility to determine which product should be used only.