



三友繼電器
SANYOU RELAYS

三友联众集团股份有限公司
Sanyou Corporation Limited

敬业 诚信
团结 创新

电话 Tel: (86)-769-82618888

传真 Fax: (86)-769-85914553

网址 Web site: www.sanyourelay.com

产品规格确认书

Specification for approval

文件编号 File No:

顾客 Customer: Strip

顾客产品名称 Custorm Product Name: 500W PFC INDUCTOR

顾客零件号 Custorm Part No: _____

三友产品名称 SY Product Name: PFC INDUCTOR 6A 1mH

三友产品型号 SY Product model: SY27TF-0060-0100-001

发布日期 Publish Date: 2022.12.22

版本 Version: V1.0

特别说明: 此确认书请顾客在 2 周内确认, 如未在规定时间内答复, 则视为同意。

三友审批签字 Signature by Sanyou			顾客签字或盖章 stamp of signature by customer
编制 Make	审核 Check	批准 Approved	

Especially claim: This specification should be checked in 2 weeks, if had not answered in the scheduled time ,then regards as the agreement.

变更版记录 Revisions

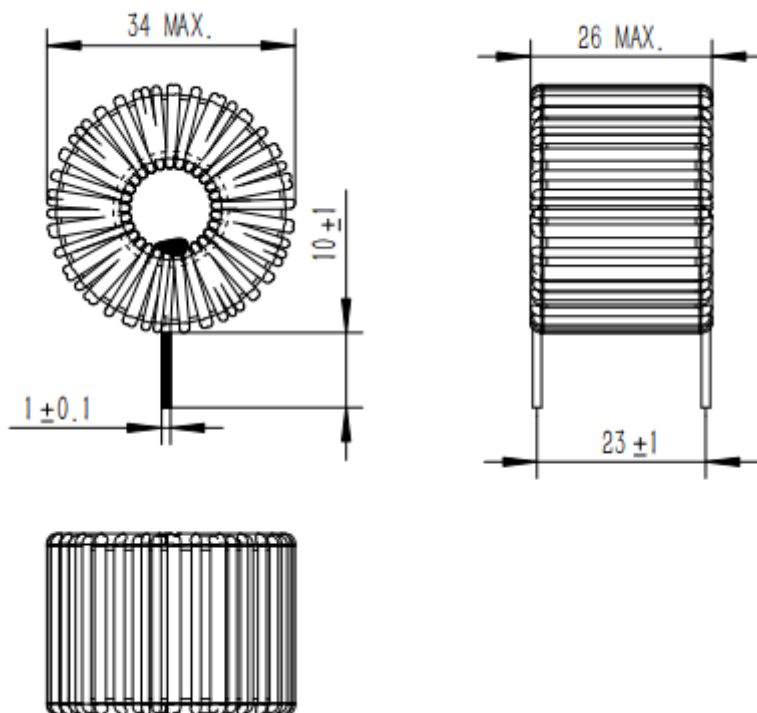
版本 Version No.	变更内容 Change description	变更原因 Reason	日期 Date	修改 Drafted by	审核 Checked by
V1.0	初版	/	2022. 12. 22	邹一鸣	黄玉华

目录 Catalog

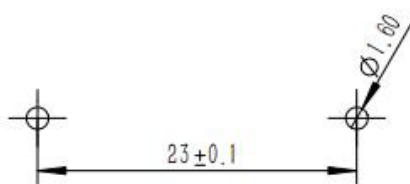
1. 外形尺寸(Outline Dimensions)
2. 推荐 PCB 安装尺寸 (Suggested PCB Layout)
3. 原理图 (Schematic Diagram)
4. 绕线参数 (Winding Parameter)
5. 电气特性(Electrical Characteristics)
6. 材料表 (Material List)
7. 产品工艺要求(Technological Requirements)
8. 推荐焊接条件 (Recommend Soldering Conditions)
9. 可靠性测试条件 (Reliability Testing Conditions)

产品规格确认书 Specification for approval

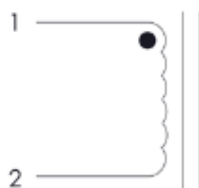
1, 外形尺寸(Outer dimensions) (单位: mm)



2, 推荐 PCB 安装尺寸 (Suggested PCB layout) (单位: mm)



3, 原理图 (Schematic diagram)



4, 绕线参数 (Winding parameter)

起线-尾线 Start-finished pin	线径规格 Wire diameter	圈数 Turns	绕线方式 Winding condition	胶带圈数 Turns of tape
1-2	IUEWF 1.0mm	91 (REF.)	close	\

备注: 绕线圈数参考, 以电感量为准。The turns of coil specified below is only for reference, the actual number is decided by the inductance

产品规格确认书 Specification for approval

5, 产品工艺要求(Technological requirements):

- 1) 绕线平整 the winding shall be flat without overlap.
- 2) 产品需要浸漆 Inductor should be varnished.

6, 电气特性(Electrical characteristics)

项目 Item	测试引脚 Pin NO.	规格 SPEC.	测试条件 Conditions
电感 Inductance	1-2	1mH±10%	10KHz 0.3V 25°C (LCR 测试仪器内阻 100 Ω)
	1-2	0.85mH MIN	10KHz 0.3V 6A 25°C (LCR 测试仪器内阻 100 Ω)
直流电阻 DC resistance	1-2	0.125 Ω max	25°C
层间绝缘 Interlay insulation	1-2	2500V	5pluse area differ 20%
工作温度范围 Operation Temperature		-20~130°C	包含线圈发热导致的温度升高 (including coil' s temperature rising)
Insulation		Function	

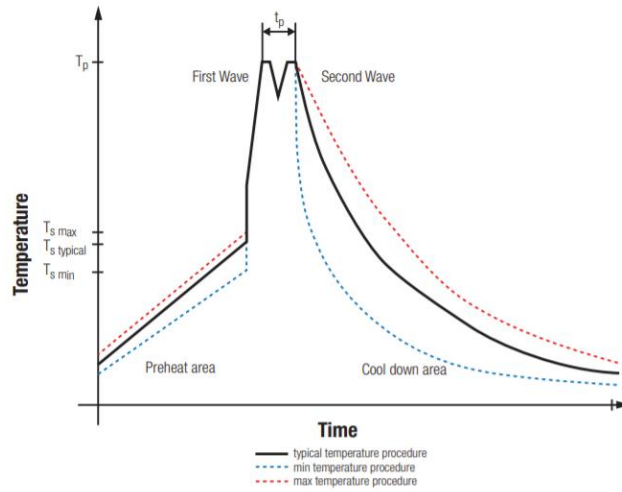
7, 材料表 (Material list)

编号 NO.	类别 Description	材料 Material	供应商 MANUFACTURER	UL NO.	温度等级 TEMP.
1	Core	KH-H 106060E18	KDM	/	155°C
2	Tape	PF	Jinjiang Yahua	E165111	180°C
3	Wire	1UEWF	Guangdong Jinyan Electrotechnics or equivalent	E238500	155°C
4	Epoxy	EP600-3M HF	Santong or equivalent	/	130°C
5	Solder	Sncu	Qiandao or equivalent	/	/
6	Varnish	E692	Zhuhai Chaxian	E335405	130°C

8, 推荐焊接条件 (Recommend soldering conditions)

- 1) 焊接方式: 波峰焊 (wave soldering)
- 2) 典型焊接曲线 (Classification wave soldering profile)

Classification Wave Soldering Profile:



Classification Wave Soldering Profile:

Profile Feature		Pb-Free Assembly
Preheat Temperature Min	$T_{s \min}$	100 °C
Preheat Temperature Typical	$T_{s \text{ typical}}$	120 °C
Preheat Temperature Max	$T_{s \max}$	130 °C
Preheat Time t_s from $T_{s \min}$ to $T_{s \max}$	t_s	70 seconds
Ramp-up Rate	ΔT	150 °C max.
Peak Temperature	T_p	250 °C - 260 °C
Time of actual peak temperature	t_p	max. 10 seconds max. 5 seconds each wave
Ramp-down Rate, Min		~ 2 K/ second
Ramp-down Rate, Typical		~ 3.5 K/ second
Ramp-down Rate, Max		~ 5 K/ second
Time 25 °C to 25 °C		4 minutes

refer to EN61760-1:2006

产品规格确认书 Specification for approval

9. 可靠性测试条件 (Reliability Testing Conditions)

序号 (NO.)	测试项目 (Item)	试验条件 (Conditions)	判定标准 (Criterion)
1	高温存储 High temperature storage	130℃ 300 小时 130℃ 300Hours	室温放置 2h 后, 各项性能满足规格书要求 After 2 hours at room temperature, the performance meets the requirements of the specifications
2	低温存储 Low temperature storage	-20℃ 300 小时 -20℃ 300Hours	室温放置 2h 后, 各项性能满足规格书要求 After 2 hours at room temperature, the performance meets the requirements of the specifications
3	冷热冲击 Thermal shock	-20℃30 分钟~ 130℃ 30 分钟 10 个循环 -20℃30 minutes~ 130℃ 30minutes 10 cycles	室温放置 2h 后, 各项性能满足规格书要求 After 2 hours at room temperature, the performance meets the requirements of the specifications
4	湿热试验 Damp heat test	温度 40℃, 湿度 93%RH 240 小时 Temperature 40℃ humidity 93%RH 240 hours	室温放置 2h 后, 各项性能满足规格书要求 After 2 hours at room temperature, the performance meets the requirements of the specifications
5	电寿命试验 Life test	额定电流 6A 1000 小时 Rated current 6A 1000Hours	试验完成后, 各项性能满足规格书要求 After the test, the performance meets the requirements of the specifications