



◆ Feature

- ◇ 16A switching capacity
- ◇ Low power consumption, high load capacity.
- ◇ Small size, PCB mounting
- ◇ Excellent electric life and reliability
- ◇ Long service life
- ◇ Environmentally friendly products(Accord RoHS)
- ◇ Drawing : 29.1mm × 25.45mm × 12.8mm

Contact Capacity

Type number	WJ32M	WJ32M
Nominal capacity(Resistive load)	1P:16A 250VAC	2P:5A 250VAC
Max.switching current	1P:16A	2P:5A
Max.switching voltage	250VAC	250VAC
Max.switching power	1P:4000VA	2P:1250VA

◆ General Spcification

Contact Material	Silver alloy	
Contact resistance	20mΩ Max.	
Operating time	15ms. Max.	
Releasing time	15ms. Max.	
Insulation Resistance	1,00mΩ Min. (DC500V)	
Dielectric Strength	Contact–contact:standard model/AC750V;1.0mm contact gap/AC2,000V;50/60Hz 1min	
	Contact–coil: AC2, 000V; 50/60Hz 1min	
Creepage distance	1P:500A/10ms;2P:200A/10ms	
Resistance to vibration	10~55Hz, 1.5mm DA	
Resistance to shock	Durability	10G min
	Malfunction	100G min
Service Life	Mechanical life(3600 cycles/Hour)	1,000,000 cycles
	Electrical life(600 cycles/Hour)	100,000 cycles
Ambient temperature	-40℃~+70℃	
Weight	16g	

◆ Coil Data(at 20℃)

L–standard model

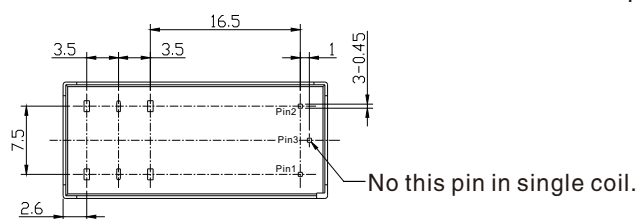
Nominal voltage (VDC)	Resistance ± 10% (Ω)		Min.Set/Reset voltage (VDC)	Pulse duration (ms)	Power consumption
	Single coil	Dual coil			
5	25	12.5 12.5	80% nominal voltage	100min	Single/Dual 1.0W/2.0W
6	36	18 18			
9	81	40.5 40.5			
12	144	72 72			
24	576	288 288			
48	2304	1152 1152			

Nominal voltage (VDC)	Resistance $\pm 10\%$ (Ω)			Min.Set/Reset voltage (VDC)	Pulse duration (ms)	Power consumption
	Single coil	Dual coil				
5	12.5	6.25	6.25	80% nominal voltage	100min	Single/Dual 2.0W/4.0W
6	18	9	9			
9	40.5	20.25	20.25			
12	72	36	36			
24	288	144	144			
48	1152	576	576			

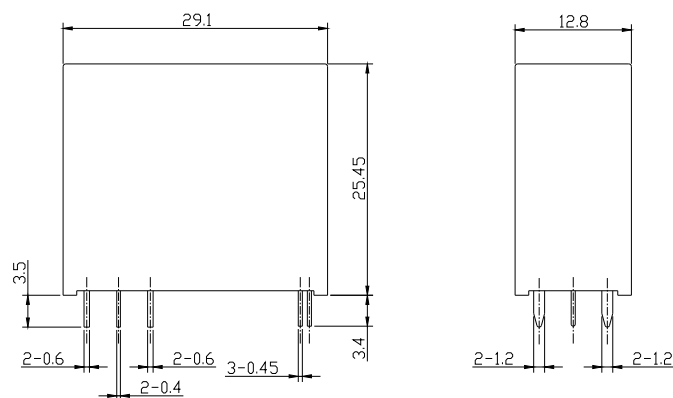
◆ Ordering information

WJ32M	-S	-1	12	L	M	1	
							Coil: 1-Single coil, 2-Dual coil.
							Contact arrangement: type C (switching); type A (normal open); type B (normal close);
							Coil type: L-standard model; D-1.0mm contact gap
							Rated coil voltage(VDC): 05, 06, 09, 12, 24, 48
							Number of contact: 1-1set; 2-2set
							Seal type: S-plastic; SH-water proof
							Model: WJ32M

◆ Demension(Unit : mm)



Remark: Unless otherwise specified,
 < 1mm: $\pm 0.2\text{mm}$;
 1-5mm: $\pm 0.3\text{mm}$;
 > 5mm: $\pm 0.4\text{mm}$.

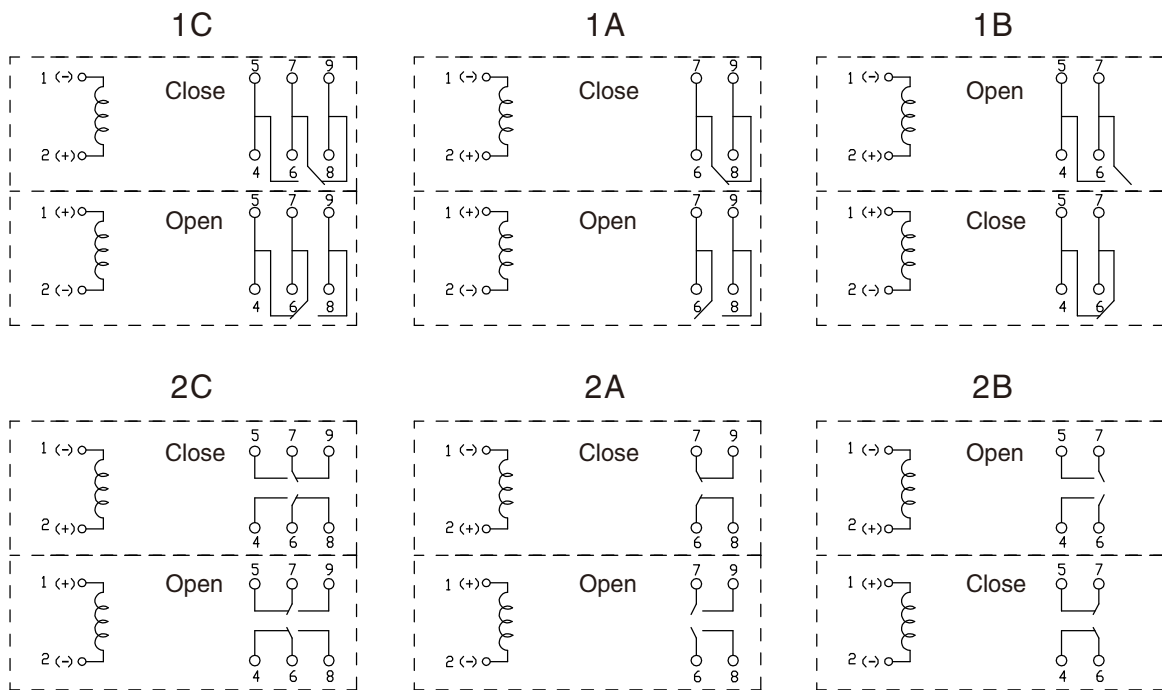


◆ Typical Application

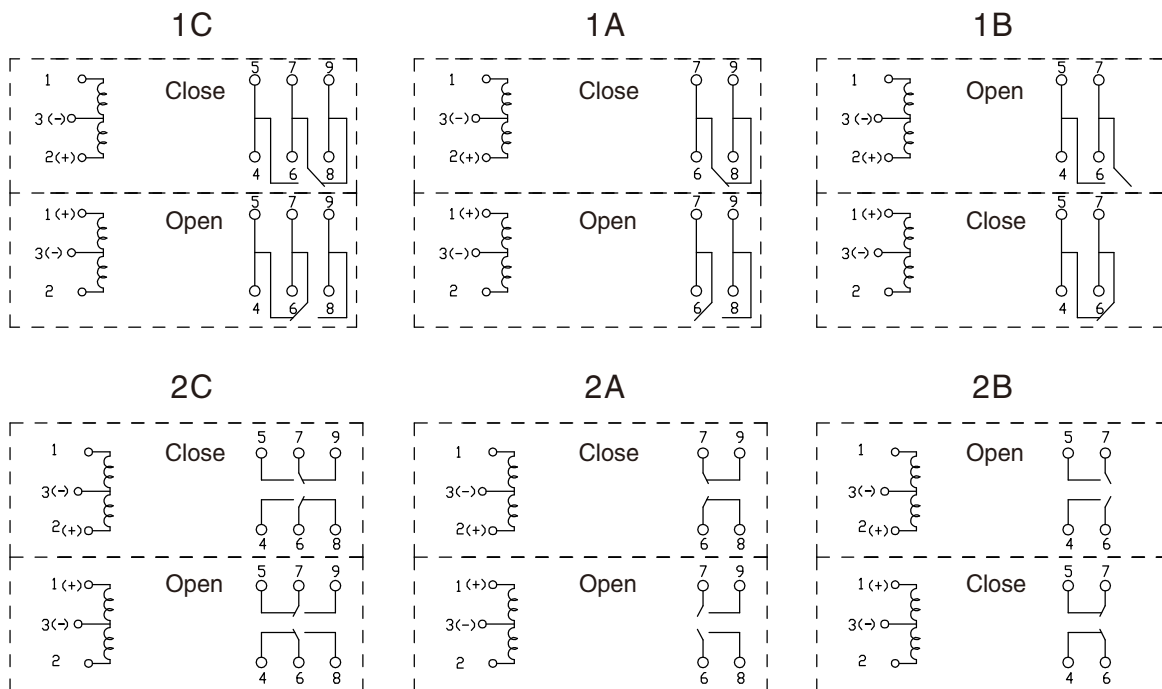
- ◇ remote control
- ◇ electrical power

◆ Wiring Diagram

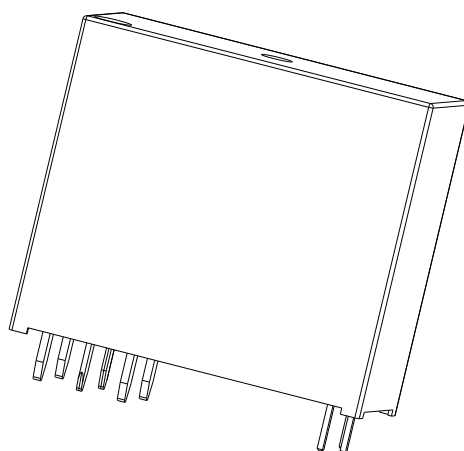
Single coil



Dual coil



◆ Typical terminals



Note: The drawings above is typical terminals, it also can be designed with customer's special terminal requirements. Please contact us if other part needed.

Precautions:

1. The original position of latching relay is "closed" when shipping. It is possible that during transit or installation, the relay may change its state to be "open" position, it is recommended to set the relay in to state needed via apply voltage to the coil.
 2. In order to let relay operate normally, the voltage which apply to the coil should reach to the rated voltage, the pulse width should be 50ms to 100ms; Do not energize both coil at the same time on Dual coil or energize the coil for longer than 1 minute.
 3. Relay without copper wire, the terminal can not be soldered, bend, and rigid fasten both two terminals;
 4. Keep away from corrosive gas and other condition which may damage the relay.
-