



Feature

- High contact load
- Low consumption, Pulse driven operation
- Strong resistance ability to shock and vibration, High reliability
- Long service life
- Optionally single coil, as well as double coil

Safety Certificate

VDE File No.: 40028740

Contact Capacity

Type number	WJ33G	WJ33G
Nominal capacity (Resistive load)	100A 250VAC	120A 250VAC
Max. switching current	100A	120A
Max. switching voltage	250VAC	250VAC
Max. switching power	25,000VA	30,000VA

General Data

Contact Material	Silver alloy	
Contact resistance	2mΩ Max.	
Operating Time	50ms. Max.	
Releasing Time	50ms. Max.	
Insulation resistance	1,000MΩ Min. (DC500V)	
Dielectric Strength	Contact - contact:	AC2,000V, 50/60Hz 1min.
	Contact-coil:	AC4,000V, 50/60Hz 1min.
	Between phases:	AC4,500V, 50/60Hz 1min.
Resistance to vibration	Durability	10~55Hz, Double amplitude of 0.5 mm
	Malfunction	10~55Hz, Double amplitude of 0.5 mm
Resistance to shock	Durability	10g min.
	Malfunction	100g min.
Service Life	Mechanical life	100,000 ops
	Electrical life	5,000 ops
Ambient temperature	-40°C ~ +70°C	
Weight		

Coil Data (at 20°C)

Nominal voltage (VDC)	Nominal current ±10% (mA)		Resistance ±10% (Ω)			Set voltage (Max.)	Reset voltage (Max.)	Pulse duration (ms)	Rated power
	Single coil	Dual coil	Single coil	Dual coil					
5	481	961	10.4	5.2	5.2	80 % of nominal voltage	80 % of nominal voltage	100 Min.	Single/Dual 2.4W/4.8W
6	400	800	15	7.5	7.5				
9	265	529	34	17	17				
12	200	400	60	30	30				
24	100	200	240	120	120				
48	50	100	960	480	480				

WJ33G

Ordering information

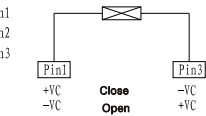
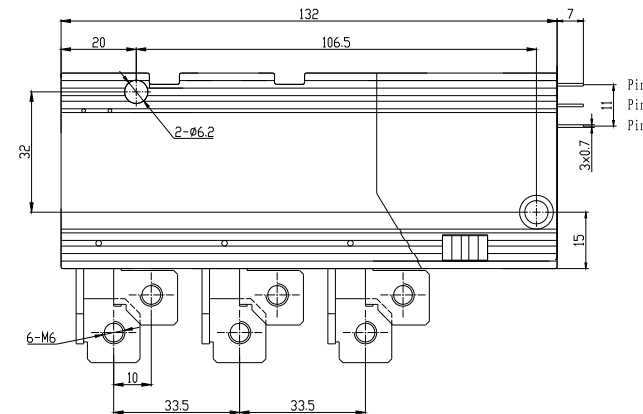
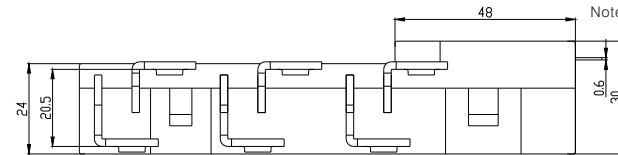
Normenclature	
WJ33G-100A -12V	
Coil voltage(VDC): 05, 06, 09, 12, 24, 48	
Nominal current: 100A, 120A	
Type: WJ33G, Contact arrangement: 3Pole	

Safety certificate

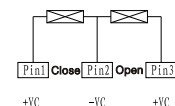
Certificate Category	VDE
File No.	40028740

Drawing (Unit: mm)

Unless otherwise specified:
If dimension < 1mm: Tolerance: ±0.2mm
If dimension on 1~5mm: Tolerance: ±0.3mm
If dimension > 5mm: Tolerance: ±0.5mm
Note: Tolerance of mounting holes: ±0.4mm



Wiring Diagram (Single coil)



Wiring Diagram (Dual coil)

Mounting dimension

Typical Application

- Energy meter used in smart grid
- remote control
- Combination switch
- electrical power