



Features

- 80A contact switching capability.
- Low coil power consumption and Pulse-driven.
- Dielectric Strength of 4KV between coil and contacts.
- Excellent anti-shock ability and high reliability .
- Both single and dual coil relay available.
- Green-products(compliance with RoHS).

Contact Capacity

Model	WJ33L
Nominal switching capacity (res. load)	80A 250VAC
Max. switching current	80A
Max. switching voltage	250VAC
Max. switching power	20,000 VA

Characteristic Data

Contact material	Silver alloy	
Initial contact resistance (at 6VDC 1A)	1mΩ Max.	
Operate time (at nominal volt.)	50msec. Max.	
Release time (at nominal volt.)	50msec. Max.	
Initial insulation resistance	1,000MΩ Min.(DC500V)	
Initial dielectric strength	Between open contacts : AC2,000V , 50/60Hz 1Min.	
	Between coil and contact : AC4,000V , 50/60Hz 1Min.	
	Between phase and phase: AC4,500V, 50/60Hz 1Min.	
Vibration resistance	Functional	10 ~ 55Hz at double amplitude of 1.5 mm
	Destructive	10 ~ 55Hz at double amplitude of 1.5 mm
Shock resistance	Functional	10G Min
	Destructive	100G Min.
Endurance (operations)	Mechanical (at 3,600 ops./h)	100,000 cycles
	Electrical (at 600 ops./h)	10,000 cycles
Ambient temperature	-40°C ~ +70°C (no condensation)	

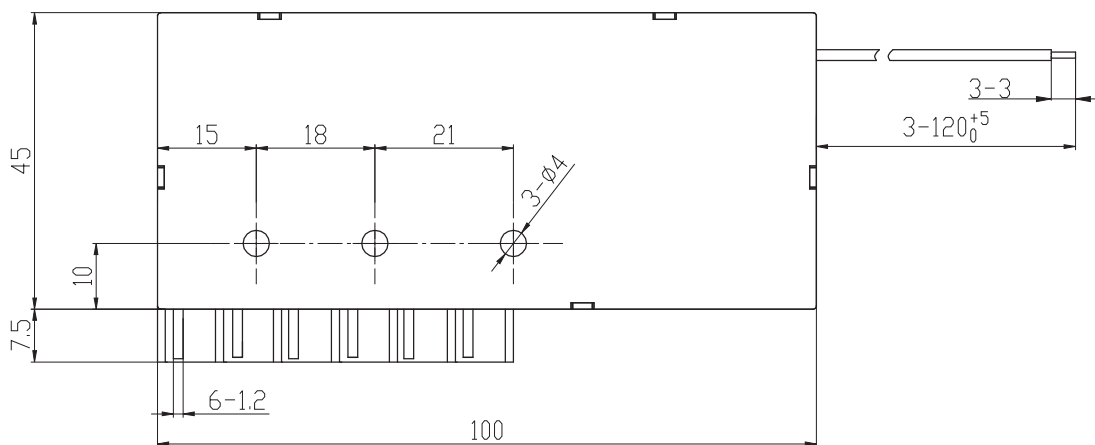
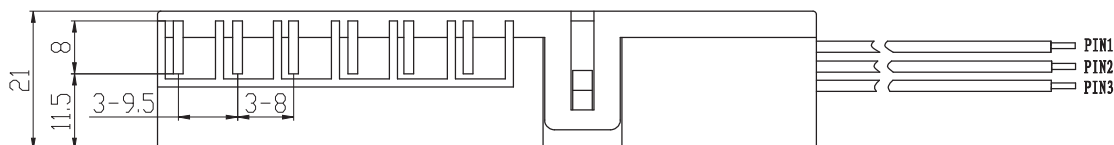
Coil Data (at 20°C)

Nominal voltage (VDC)	Single coil resistance ±10% (Ω)	Dual coil resistance ±10% (Ω)		Set voltage (Max.)	Reset voltage (Max.)	Pulse duration (ms)	Nominal operating power
5	8.3	4.15	4.15	70 % of nominal voltage	70 % of nominal voltage	80 Min.	:Dual/Single 3W/6W
6	12	6	6				
9	27	13.5	13.5				
12	48	24	24				
24	192	96	96				
48	768	384	384				

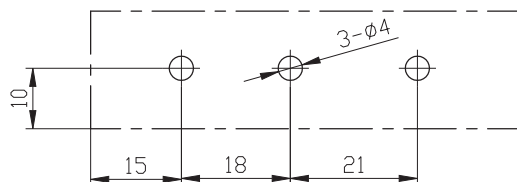
Ordering Information

Nomenclature				
WJ33L	-80A-	D	2	-XXX
Customer Requirement				
Coil Specification : 1-Single coil, 2-Dual coils				
Coil Type: L-sensitive, D-standard				
Coil Voltage (VDC) : 05 , 06 , 09 , 12 , 24 , 48				
Contact capacity : 80A				
Type Designation : WJ33L Number of Poles: : 3pole				

Outline Dimensions, Wiring Diagram, Mounting Holes (unit : mm)



Mounting Holes



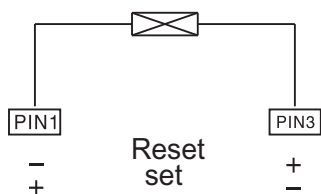
Unless otherwise specified :
 If dimension < 1mm, tolerance : ±0.2mm;
 If dimension 1~5mm, tolerance : ±0.3mm;
 If dimension > 5mm, tolerance : ±0.4mm.
 Note : 1. Extended terminal dimension is dimension before soldering.
 2. Tolerance of mounting holes : ±0.5mm.

Typical Applications

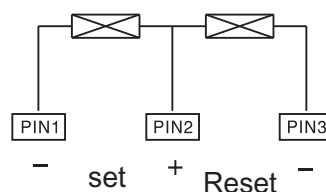
- Intelligent electric meter
- Electric remote control
- Composite power switch
- Electrical device

Wiring diagram

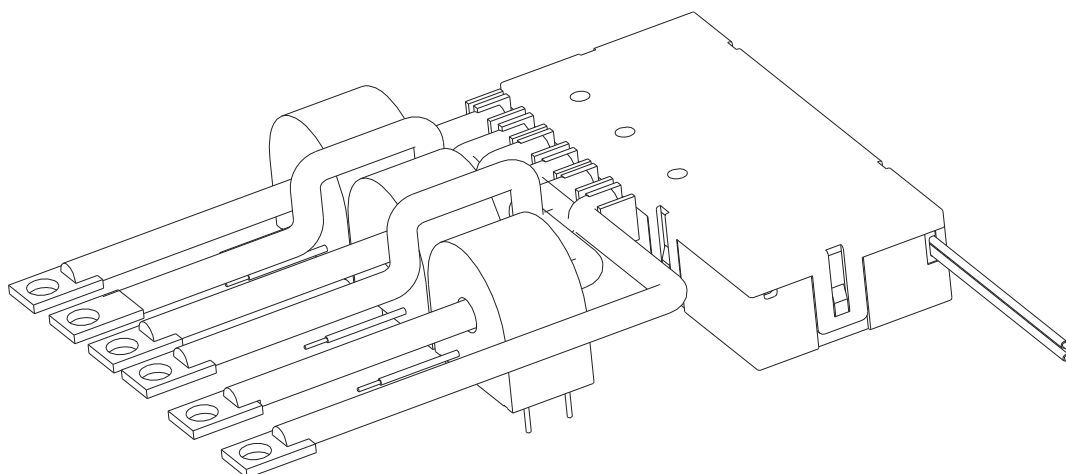
Wiring diagram of single coil



Wiring diagram of dual coil



Typical drawing



Note:above is a typical drawing for mounting,also according to our customers' requirements we can redesign or carry out with our customers. If a relay needs to connect with other components, please do not hesitate to contact us.

Announcements:

- 1 A Magnetic Latching Relay stays operation status when out of factory,but the status may change because of the effect of shock or stress during delivering or mounting. you can reset the tatus according to your requirement.
- 2 In order to make sure that a magnetic latching relay works properly,the energizing quantity of voltage applied to coil must reach to the rated value,and the width of pulse should be 5 times greater than the Operate or Release time . Don't apply voltage to both set and reset coil at the same time,and when applied energizing voltage value to coil, please do not exceed one minute.

Disclaimer:

This datasheet is the customers' reference. All the specification are subject to change without notice. We could not evaluate all the performance and all the parameters for every possible application.Thus the user should in a right position to choose the suitable product for their own application.If there is any query, please contact Sanyou for the technical service.However it is the user's responsibility to determine which product should be used only.

Dongguan Sanyou Electrical appliance Co.,LTD,All rights of Sanyou to reserved