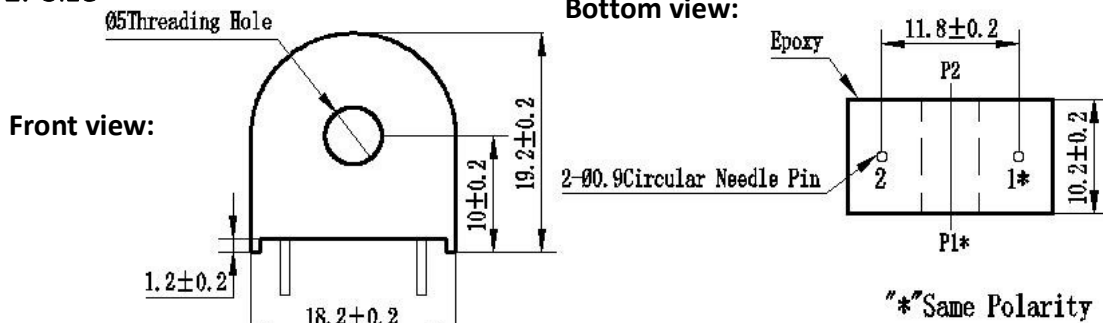


# ZMCT103C Current Transformer

Small size, high accuracy, good consistency, for current and power measurement

## 1. Size



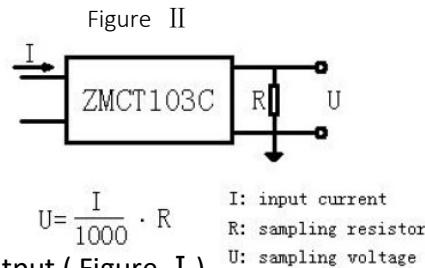
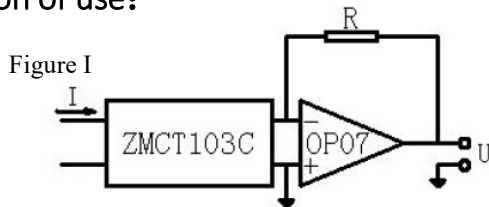
Remarks: primary input: straight- through type( make the measured circuit be through the hole)

1、 2pin :secondary output

## 2.Characteristic parameters:

model	ZMCT103C
input current	0-10A (50Ω)
Rated output current	5mA at input 5A
turns ratio	1000:1
phase angle error	≤15' (input 5A, sampling resistor 50Ω)
Accuracy class	0.2
linearity	≤0.2% (5%dot~120%dot)
Permissible error	-0.2%≤f≤+0.2% (input 5A, sampling resistor50Ω)
isolation voltage	4500V
application	Precise measurement of current and power
Encapsulation	Epoxy
installation	PCB mounting (Pin Length>3mm)
operating temperature	-40℃~+85℃

## 3. Direction of use:



- The typical usage of the product is for the active output ( Figure I ).  
R is a sampling resistor.
- The product can be directly through the resistance sampling , easy to use ( Figure II ).