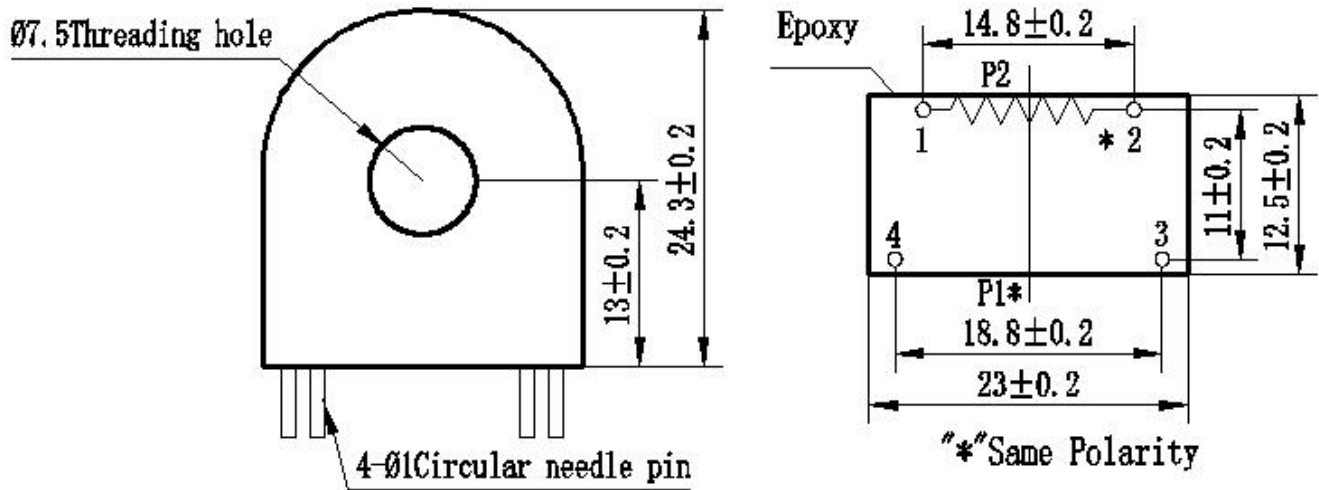


ZMCT118A Current Transformer

Small size, high accuracy, good consistency, for current and power measurement

Structural parameters:



Front view

1、2pin: secondary output, 3、4pin: empty pin

Bottom view

The main technical parameters:

model	ZMCT118A
input current	0~40A (sampling resistor 50Ω)
Rated output current	2.5mA at input 5A
turns ratio	2000:1
phase angle error	≤15' (input 5A, sampling resistor 50Ω)
linear range	0~40A (sampling resistor 50Ω)
linearity	≤0.1%(5%dot~120%dot)
Permissible error	-0.2%≤f≤+0.2% (input 5A, sampling resistor 50Ω)
isolation voltage	4500V
application	Current and power measurement
Encapsulation	Epoxy
installation	PCB mounting (Pin length>3mm)
operating temperature	-40℃~+85℃

Direction for use:

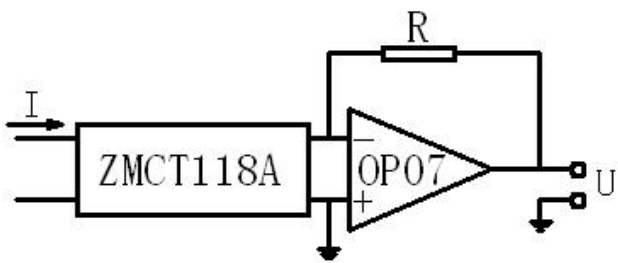


Figure I



$$U = \frac{I}{2000} \cdot R$$

I: input current
R: sampling resistor
U: sampling voltage

Figure II

1. ZMCT118A used for measurement. Typical usage is shown in Figure 1 and Figure 2. R is a sampling resistor.
2. Empty pin can not be grounded.