

# ZMCT353

## Flying wire Current Transformer

### FEATURES:

1. Very high output voltage&linearity in small size
2. Integral flying leads for ease of installation
3. Large center-hole allow 6.3mm tabs
4. Manufactured in an ISO9001:2008, ISO14001:2004
5. Fully ROHS, CE & REACH Compliant

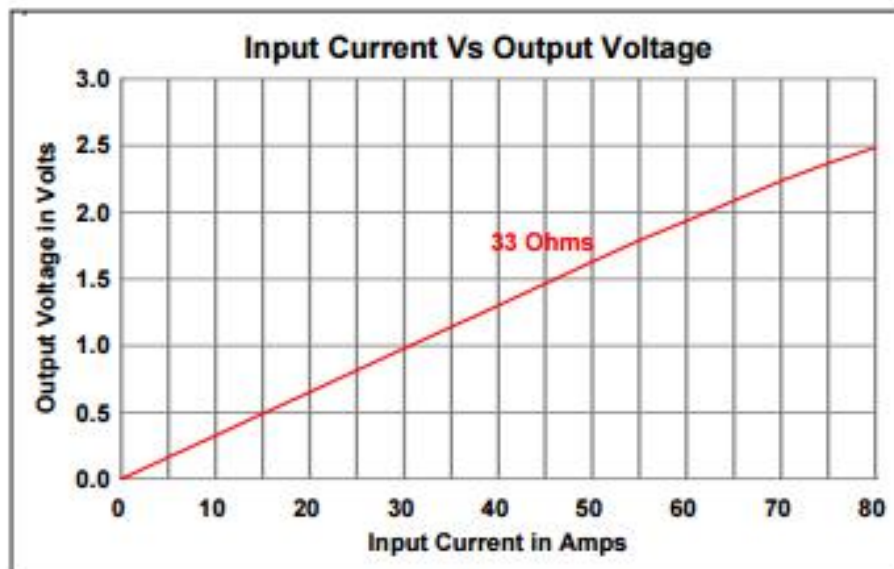


### Electrical Specifications at 20°C

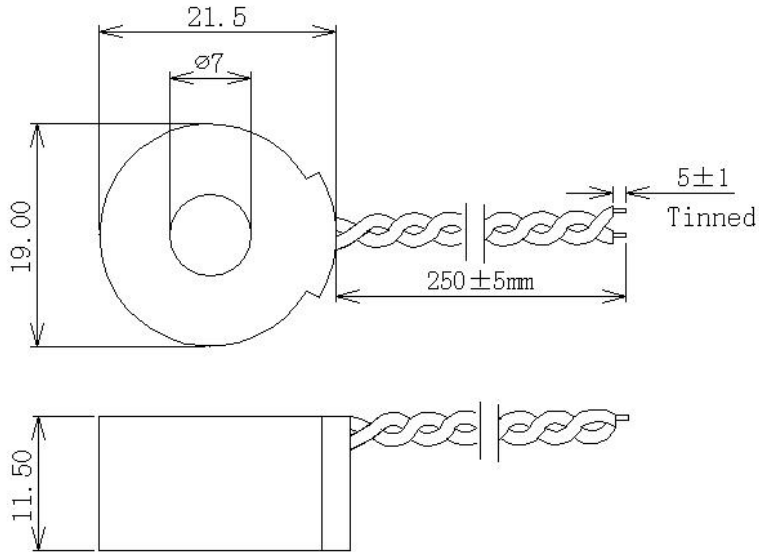
Model	ZMCT353
Operating frequency	50/60HZ
Maximum primary current	50A
Turns ratio	1000:1
Rated burden resistance	33Ω
Operating temperature	-40°C to +85°C
Storage temperature	-40°C to +85°C
Dielectric withstand voltage	4000V
Accuracy Class	1.0

### MECHANICAL DIMENSIONS

Primary current(A)	10	20	30	40	50	60	70
Secondary output voltage for 33 ohm load (mV)	0.33	0.66	0.99	1.32	1.65	1.98	2.31

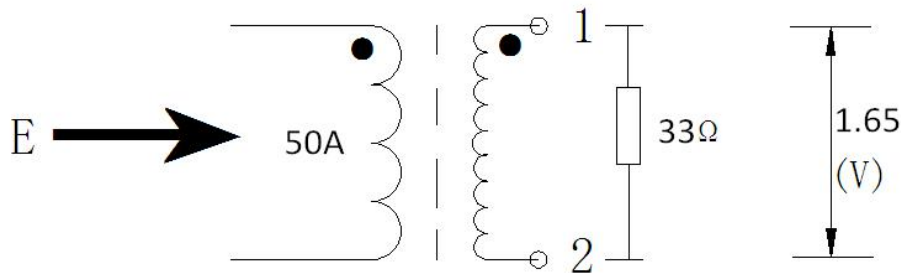


**MECHANICAL DIMENSIONS**



Leads out : Flex UL 1569 AWG24, 300V Rating, 250±5mm long out of trafo with 5mm tinned ends  
 Dimension unit: mm, Dimension Tolerance: ±0.25mm(Unless specified)

**CIRCUIT SCHEMATIC:**



**MATERIAL LIST:**

NO.	Material	Spec, model	UL code	SGS
1	Epoxy coated Silicon steel core	Ø11.5×15.5×8	---	yes
2	Enameled wire (Winding wire)	2UEW Ø0.09, 1000T	E258243	yes
3	Tape	Flame retardant, Environmental protection, V0 105 degrees, (Plaster)Yellow Glue	E165111	yes
4	Fills and seals material	TXH-9201-10 epoxy resin insulating compound	E196959	yes
5	Outer covering	Black, PBT Environmental protection	E238981	yes
6	Output wires	UL1569,24#, Black&Yellow	---	yes
7	Solder	YTB101	---	yes