



产品承认书

Specification for Approval

文件编号 Document NO:

客户名称 Customer:			
客户零件编号 Customer part number: AC1060			
择明产品名称 ZEMING product name: 电流互感器 Current Transformer			
择明产品型号 ZEMING Product number: ZMCT462			
文件发布日期 Document release date: 2022年12月9日 9th Dec, 2022			
文件有效期 File validity period: 长期 long time			
版本号 Version number: V1.0			
择明审批确认 ZEMING Approval and verification			客户确认(签字或盖章均有效) Customer confirmation(sign or stamp)
批准 Approval	审核 Audit	编制 Draw up	确认人 Confirmer: 日期 Date:
特别申明: 1.此技术保证书请客户在 7 个工作日内确认回复, 若在规定的时间内未答复, 择明将视为同意。This is Technical Guarantee. Please customer confirm it and reply within 7 working days. And if it not be replied within the prescribed time, ZEMING will deem that customer has agreed it. 2.本技术协议为客供各执一份, 客户端为原件。客户端确认后, 也可以将此转换为自己控制协议, 但内部协议条款不允许修改变动.This technical agreement is in duplicate,supplier holding one copy and customer holding the original copy. After being confirmed by customer,this agreement can also transform to be internal control agreement,but the terms of this agreement can not be allowed to modify changes. 3.双方确认后均需按照协议里面之相关要求来进行控制, 有违协议要求的导致 产品问题, 需己方自行承担。After confirmed by both parties,it shall be carried out in according to the requirements of agreement, And against this agreement,it caused any products' problem,to duty party own bear. 4.客供双方提出变更必须使用此文件作为变更主页(可带附页)。 This document must be used as main or home page of changes(can be with attached pages) when both parties propose changes.			



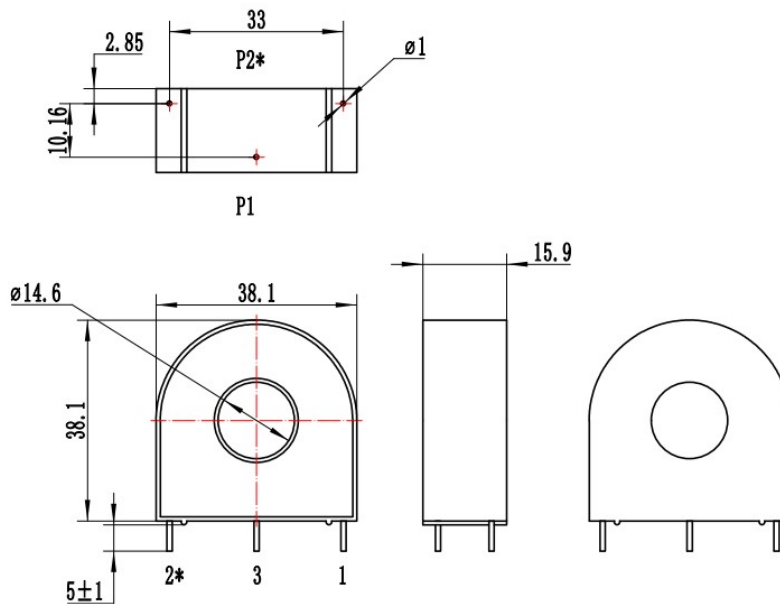
变更记录
Change record

客户 Customer:		产品型号 Product model:		
变更版本 Version	变更时间 Date	变更记录 Content of change	变更原因 Change reason	变更执行人员 Operator



电流互感器规格书 current transformer specification

1. 尺寸 Size



备注 Notes:

- 1) Unit 单位: mm
- 2) Current direction 电流方向: “*” 代表 “同名端”----“*” means “same Polarity”;
- 3) Dimensional Tolerance 尺寸公差: $\pm 0.25\text{mm}$ (Unless Specified 除特殊尺寸外)
- 4) Pin Pitch Tolerance 引脚公差: $\pm 0.10\text{mm}$

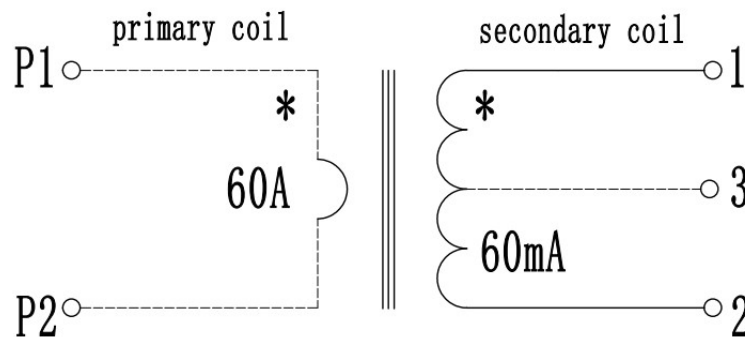
2. 特性参数 characteristic parameters:

参数 Characteristics	数值 Values
--------------------	-----------



工作频率 Operating frequency	50 /60 Hz
工作温度 Operating temperature	-40℃ ~ +70℃
存储温度 Storage Temperature	-55℃ ~ +130℃
100 Ω 负载在 60A 时的伏安比 Volt per Amp Ratio at 60A for 100 Ω	0.1V/A
100 Ω 负载在 6A 时的伏安比 Volt per Amp Ratio at 6A for 100 Ω	0.0984V/A
最大一次工作电流 Maximum primary operating current I _{max}	200A
变比 Transformation ratio	1000:1
高压测试 Power frequency withstand voltage	4Kv/1min/1mA
绝缘电阻 Insulation resistance	>1000MΩ/500Vdc
内阻 DCR	24 Ω (20℃)

3. 使用原理图 CIRCUIT SCHEMATIC:



4. Note:

- 1) Unless requested, the terminating resistor and the one-turn



primary are not supplied

2) Pin 3: Normally for mechanical support only but will be used on center tapped designs

5. BOM 明细表 BOM List

编号 No.	材料 Material	规格 Spec. model	UL 编码 UL code	制造商 Manufacturer
1	磁芯 Core	硅钢磁芯 CRGO CORE	/	择明朗熙 ZEMING LANGXI
2	漆包线 Winding	/	E197317	宁波鑫健新 NINGBO XINJIANXIN
3	外壳 Outside shell	PBT, Black	E59481	长春塑料 CHANGCHUN PLASTICS CO.,LTD
4	环氧树脂 Epoxy resin	TXH-92H-8	E196959	天津津桥 TIANJIN XINQIAO INSULATING MATERIAL CO
5	引针 Leading wires	/	/	黄骅益捷 HUANGHUA YIJIE
6	胶带 Tape	阻燃环保 Flame retardant, Environmental protection	E328315	深圳新华辉 SHENZHEN XINHUAHUI
7	焊锡 Tin	无铅锡条 Lead-free tin bar, Sn99.3/Cu0.7	/	浙江亚通 Zhejiang Yatong Welding Materials Co., Ltd