



# 产品承认书

## Specification for Approval

文件编号 Document NO:

|   |             |  |                            |
|---|-------------|--|----------------------------|
| <b>客户名称 Customer:</b>   |             |  |                            |
| <b>客户零件编号 Customer part number:</b>   |             |  |                            |
| <b>择明产品名称 ZEMING product name:</b> 引线式电流互感器 flying wires current transformer  |             |  |                            |
| <b>择明产品型号 ZEMING Product number:</b> ZMCT205H-1   |             |  |                            |
| <b>文件发布日期 Document release date:</b> 2023 年 2 月 9 日 9th Feb, 2023   |             |  |                            |
| <b>文件有效期 File validity period:</b> 长期 long time   |             |  |                            |
| <b>版本号 Version number:</b> V1.0   |             |  |                            |
| 择明审批确认<br>ZEMING Approval and verification  |             | 客户确认(签字或盖章均有效)<br>Customer confirmation(sign or stamp) |                            |
| 批准<br>Approval  | 审核<br>Audit | 编制<br>Draw up  | 确认人 Confirmer:<br>日期 Date: |
|   |             |  |                            |
| <b>特别申明:</b><br>1.此技术保证书请客户在 7 个工作日内确认回复, 若在规定的时间内未答复, 择明将视为同意。This is Technical Guarantee. Please customer confirm it and reply within 7 working days. And if it not be replied within the prescribed time, ZEMING will deem that customer has agreed it.<br>2.本技术协议为客供各执一份, 客户端为原件。客户端确认后, 也可以将此转换为自己控制协议, 但内部协议条款不允许修改变动.This technical agreement is in duplicate,supplier holding one copy and customer holding the original copy. After being confirmed by customer,this agreement can also transform to be internal control agreement,but the terms of this agreement can not be allowed to modify changes.<br>3.双方确认后均需按照协议里面之相关要求来进行控制, 有违协议要求的导致 产品问题, 需己方自行承担。After confirmed by both parties,it shall be carried out in according to the requirements of agreement, And against this agreement,it caused any products' problem,to duty party own bear.<br>4.客供双方提出变更必须使用此文件作为变更主页(可带附页)。 This document must be used as main or home page of changes(can be with attached pages) when both parties propose changes. |             |  |                            |

Add: Dabogeliu village, Jinniu Town, Qingxian, Cangzhou City, Hebei Province, China. 062650

河北省沧州市青县金牛镇大鹁鸽留工业园, 邮编: 062650

Tel: 86-25-52601870

mail: zm@zeming-e.com

Website: [www.micro-transformer.com](http://www.micro-transformer.com)



**变更记录**  
Change record

| 客户 Customer:    |              | 产品型号 Product model:       |                       |                    |
|-----------------|--------------|---------------------------|-----------------------|--------------------|
| 变更版本<br>Version | 变更时间<br>Date | 变更记录<br>Content of change | 变更原因<br>Change reason | 变更执行人员<br>Operator |
|                 |              |                           |                       |                    |
|                 |              |                           |                       |                    |

Add: Dabogeliu village, Jinniu Town, Qingxian, Cangzhou City, Hebei Province, China. 062650

河北省沧州市青县金牛镇大鹁鸽留工业园, 邮编: 062650

Tel: 86-25-52601870

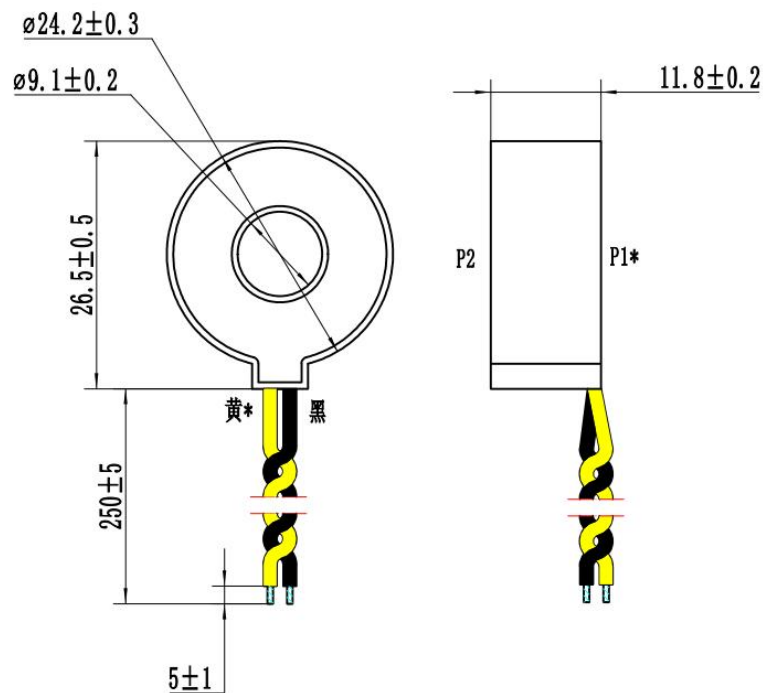
mail: zm@zeming-e.com

Website: [www.micro-transformer.com](http://www.micro-transformer.com)



## 电流互感器规格书 current transformer specification

### 1. 尺寸 Size



备注 Notes:

1) Unit 单位: mm

2) Current direction 电流方向: “\*” 代表 “同名端” ---- “\*” means “same Polarity”;



## 2. 特性参数 characteristic parameters:

| 参数 Characteristics   | 数值 Values      |
|--|----------------|
| 工作频率 Operating frequency                                       | 50 Hz ~ 400 Hz |
| 工作温度 Operating temperature                                     | -40°C ~ +85°C  |
| 相对湿度 Relative humidity   | ≤95%           |
| 最大一次工作电流<br>Maximum primary operating current I <sub>max</sub> | 40A            |
| 变比 Transformation ratio  | 750:1          |
| 高压测试 Power frequency withstand voltage                         | 4Kv/1min       |
| 绝缘电阻 Insulation resistance                                     | >1000MΩ/500Vdc |
| 精度等级 Accuracy class  | 1.0class       |
| 负载 User supplied burden resistor                               | 33 Ω           |
|  |                |



### 3. BOM 明细表 BOM List

| 编号<br>No. | 材料<br>Material         | 规格<br>Spec. model                                       | UL 编码<br>UL code | 制造商<br>Manufacturer   |
|-----------|------------------------|---|------------------|---|
| 1         | 磁芯<br>core             | 硅钢<br>Silicon steel                                     | /                | 择明朗熙<br>ZEMING LANGXI   |
| 2         | 漆包线<br>Winding         | /   | E197317          | 宁波鑫建新材料科技有限公司<br>Ningbo Xinjian New Material Technology Co<br>Ltd |
| 3         | 外壳<br>Outside shell    | PBT, Black  | E59481           | 长春塑料<br>CHANGCHUN PLASTICS CO.,LTD                                |
| 4         | 环氧树脂<br>Epoxy resin    | TXH-9201-31   | E196959          | 天津津桥<br>TIANJIN XINQIAO INSULATING MATERIAL CO                    |
| 5         | 引线<br>Leading<br>wires | UL1569, 24#,<br>Black &Yellow                           | E332522          | 东莞丹阳<br>DONGGUAN DANYANG Electronic Wire<br>Co.,Ltd               |
| 6         | 胶带<br>Tape             | 阻燃环保<br>Flame retardant,<br>Environmental<br>protection | E328315          | 深圳新华辉<br>SHENZHEN XINHUAHUI                                       |

Add: Dabogeliu village, Jinniu Town, Qingxian, Cangzhou City, Hebei Province, China. 062650

河北省沧州市青县金牛镇大鹁鸽留工业园, 邮编: 062650

Tel: 86-25-52601870

mail: zm@zeming-e.com

Website: [www.micro-transformer.com](http://www.micro-transformer.com)