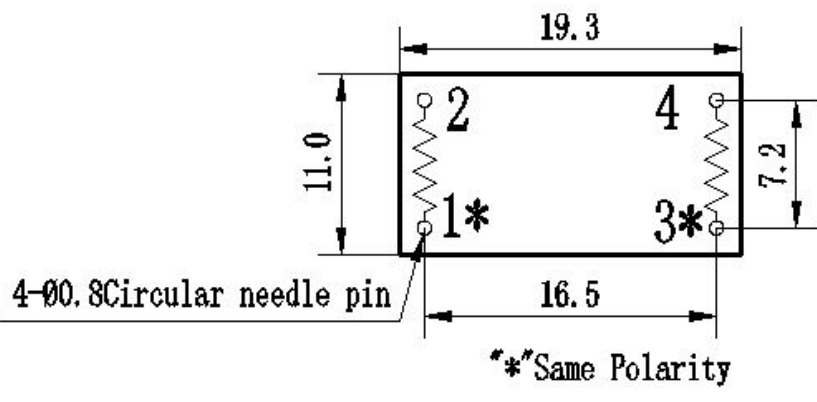


Front view



Bottom view

The main technical parameters:

Model	ZMPT107N
Rated input current	1.76mA
Rated output current	1.76mA
turns ratio	1000:1000
phase angle error	No requirement
linear range	0~1000V 0~10mA (sampling resistor 50Ω)
linearity	≤1% (50%~120%)
Permissible error	-1.5%≤f≤0 (input 1.76mA, sampling resistor 470Ω)
Inductance value	≥60H (1Khz, 0.1v)
isolation voltage	4000V
application	voltage and power measurement
Encapsulation	Epoxy
installation	PCB mounting
operating temperature	- 40°C~ +85°C

Direction for use:

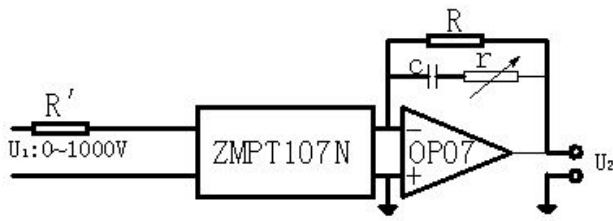


Figure I

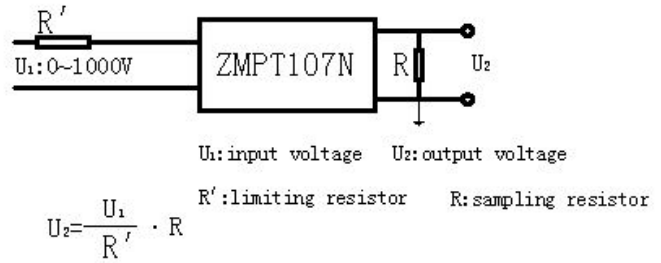


Figure II

1. The typical usage of the product is for the active output (Figure I ). R' is a limiting resistor, R is a sampling resistor, c and r is used for phase compensation.
2. The product can be directly through the resistance sampling , easy to use ( Figure II).
3. The instructions are for reference only; specific parameter is subject to specifications (acknowledgment).